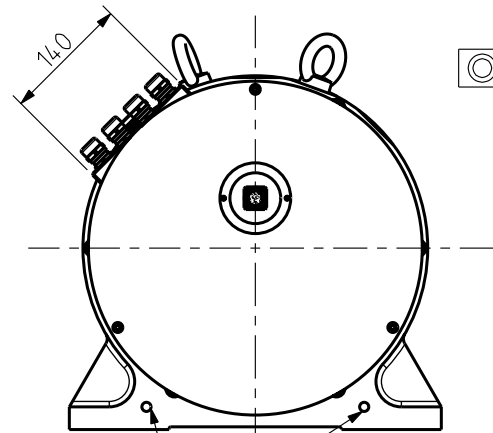
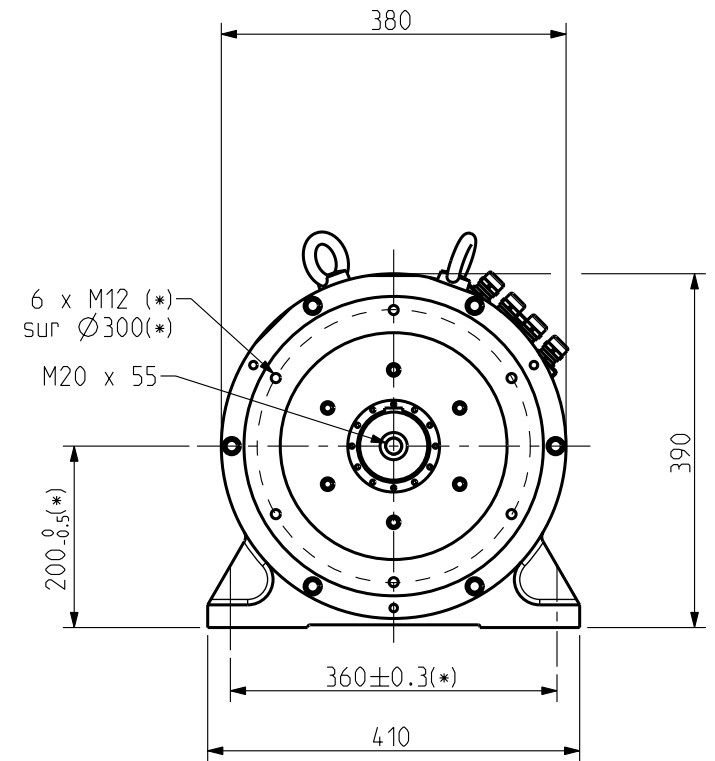
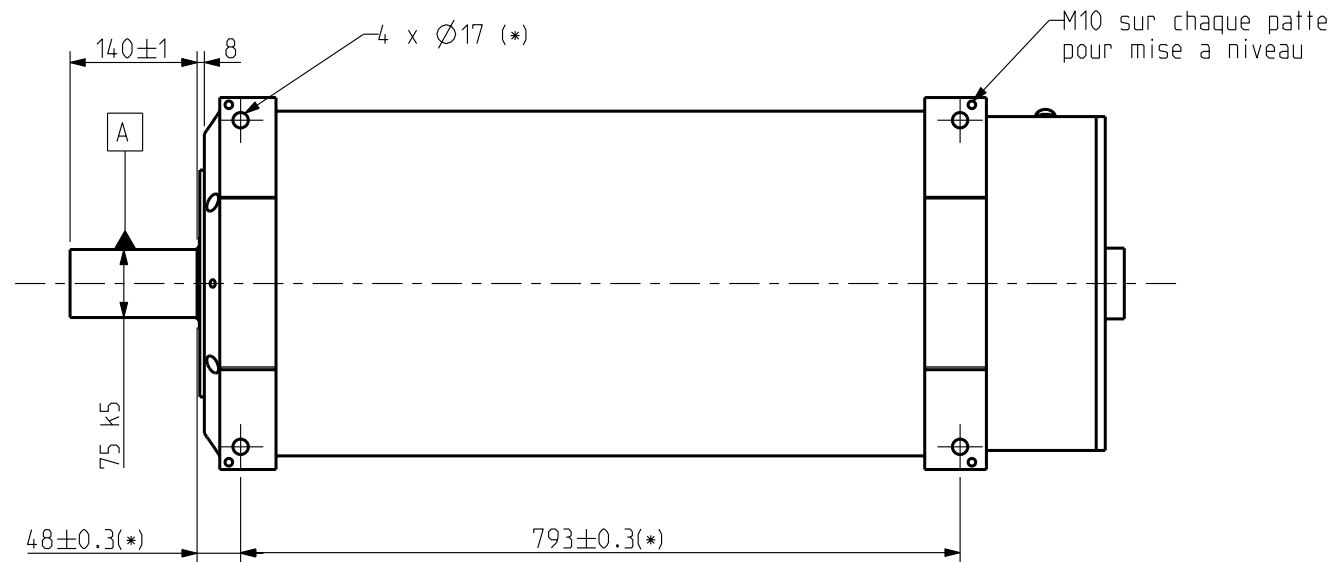


Vitesse max : 4000 trs/min  
 Charge radiale max : 15000N a 400trs/min  
 Charge axiale max : 1800N a 400trs/min  
 Charge radiale max : 1500N a 4000trs/min  
 Charge axiale max : 180N a 4000trs/min  
 Equilibrage avec demi-clavette.

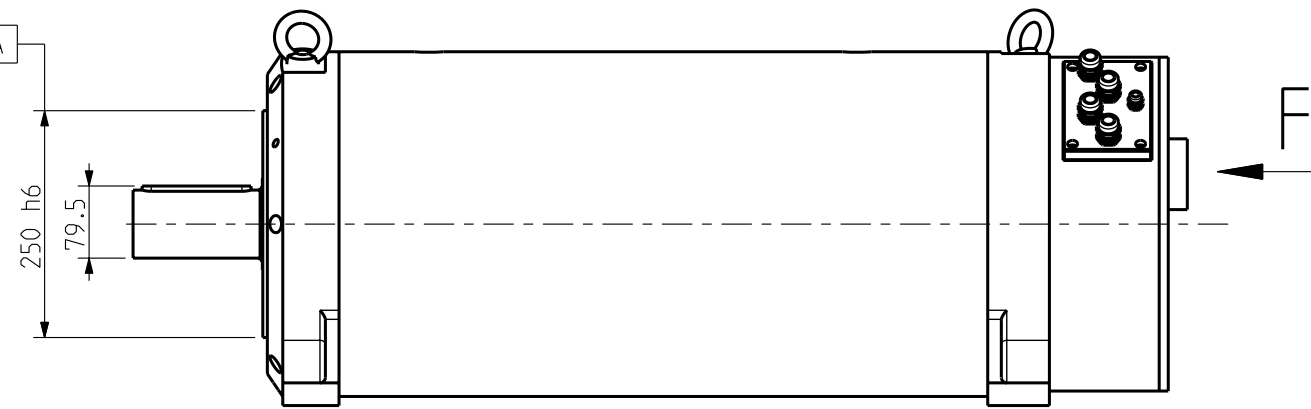
Partie active : HKW 310-500HBU  
 Resolveur : CB102  
 Protection : IP40  
 Peinture : Noir RAL9005  
 Masse : 695kgs

Connecteur resolveur 12 pts



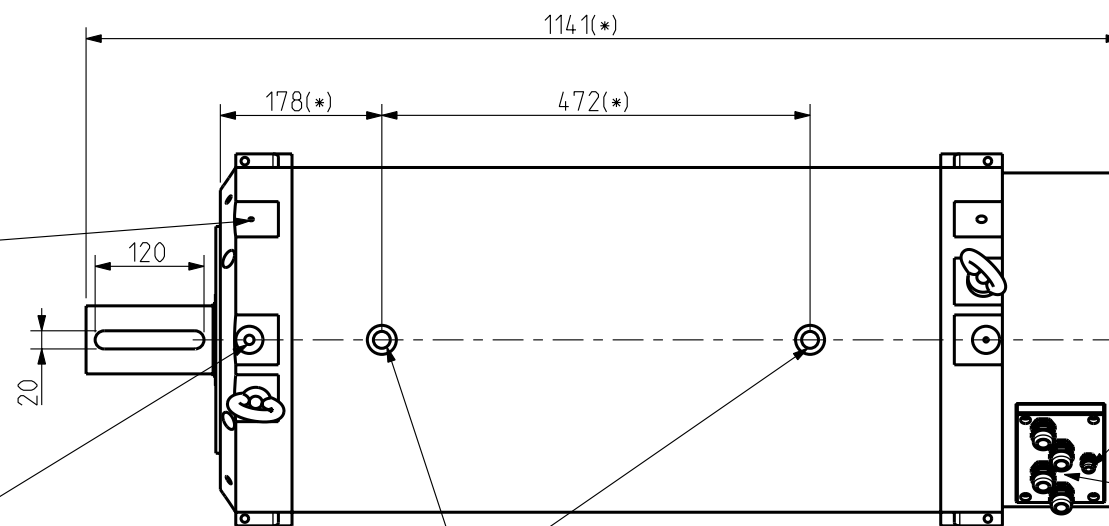
2 x M12 prof20 pour raccordement tresse de masse sur bati

⊙ Ø0.02 A



M12x1.5 Prof12 Avant et Arriere pour sonde temperature roulement (sonde non fournie)

M6x1 Prof12 Avant et Arriere pour capteur vibration (capteur non fourni)

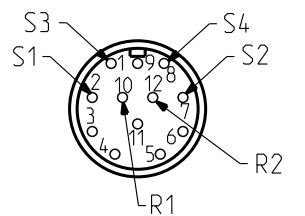


Entree/Sortie eau additivee pour refroidissement G1/2 lame 32

Sortie sondes sous gaine :  
 Longueur : 1.2m  
 KTY + : marron  
 KTY - : blanc  
 PTC 150°C : jaune  
 PTC 150°C : jaune

Sortie puissance fils 50mm<sup>2</sup>  
 Ø12.3 sur gaine  
 rayon de courbure mini 140mm  
 longueur : 1.2m  
 PE M20  
 Noir : phase U  
 Blanc : phase V  
 Rouge : phase W  
 Vert/jaune : masse

CONNECTEUR COMMANDE



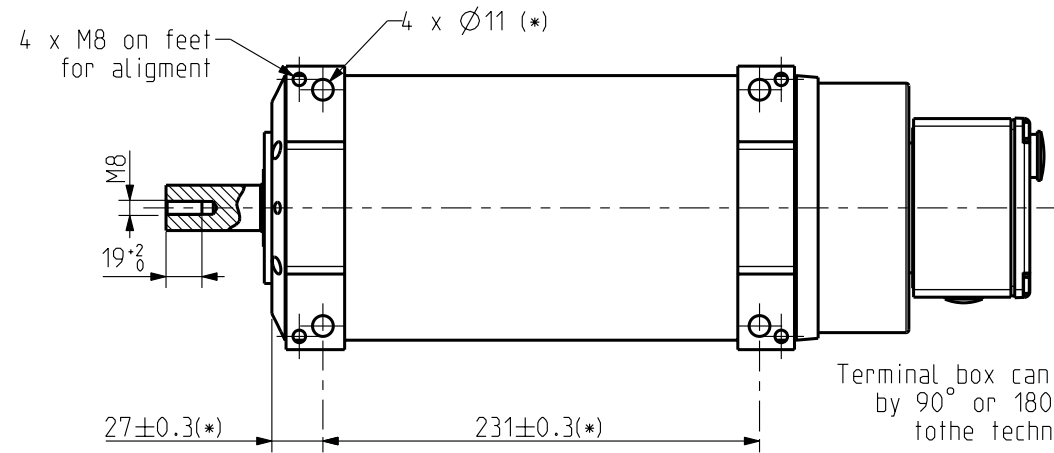
Vue suivant F

Plan valable pour : MGVB50H\_\_AB3LR1005

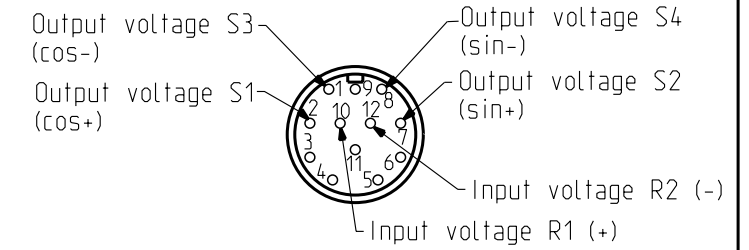
Masse :	General tolerances	Dessine	19/01/12	AH	Vise					Echelle 0.120	 8 Avenue du Lac. BP30749 21007-DIJON cedex-FRANCE www.parker.com	MGVB50 ENCOMBREMENT	Format	F	E	S	G	I	
	DIN ISO 2768 mK	Modifications	B	AM23909 - 16/07/2012 PF											A3	x			
													344751E1005					B	

Ce document, propriete exclusive de PARVEX, ne peut etre communique, copie ou reproduit totalement ou partiellement sans son autorisation ecrite.

Resolver : CB52  
 IP40  
 Paint : Black RAL 9005



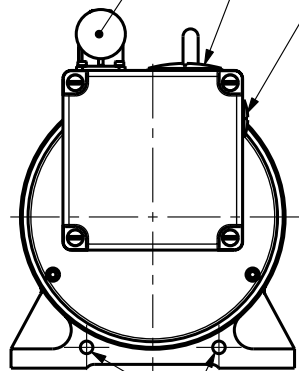
RESOLVER CONNECTOR



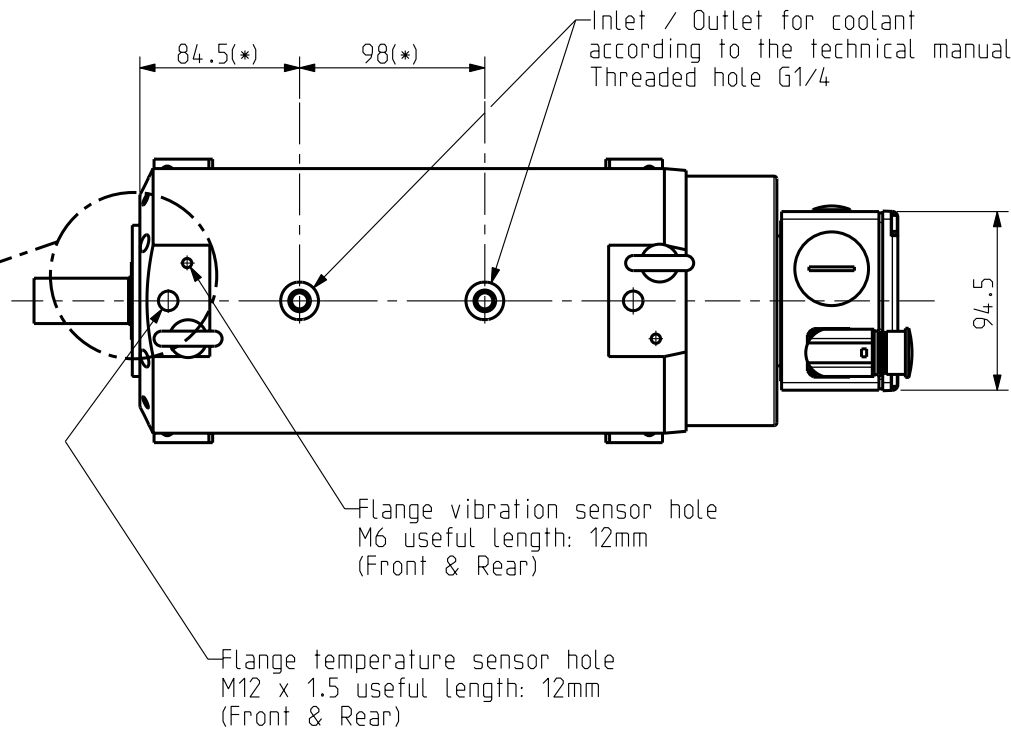
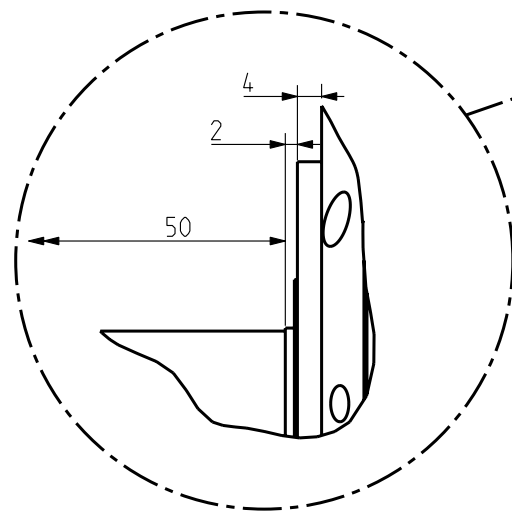
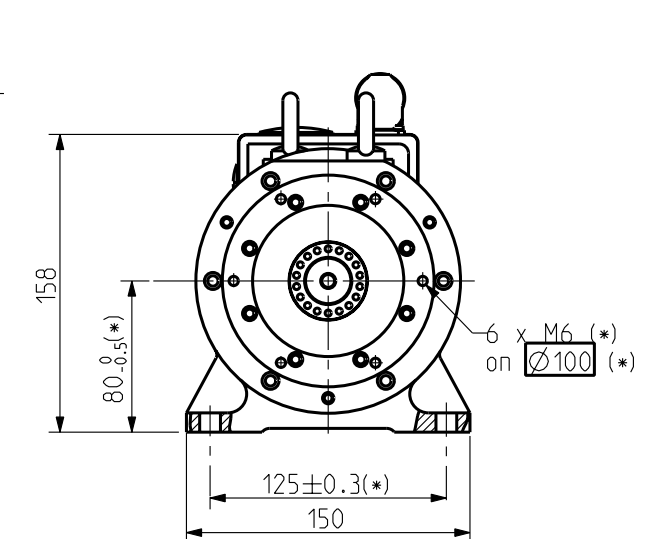
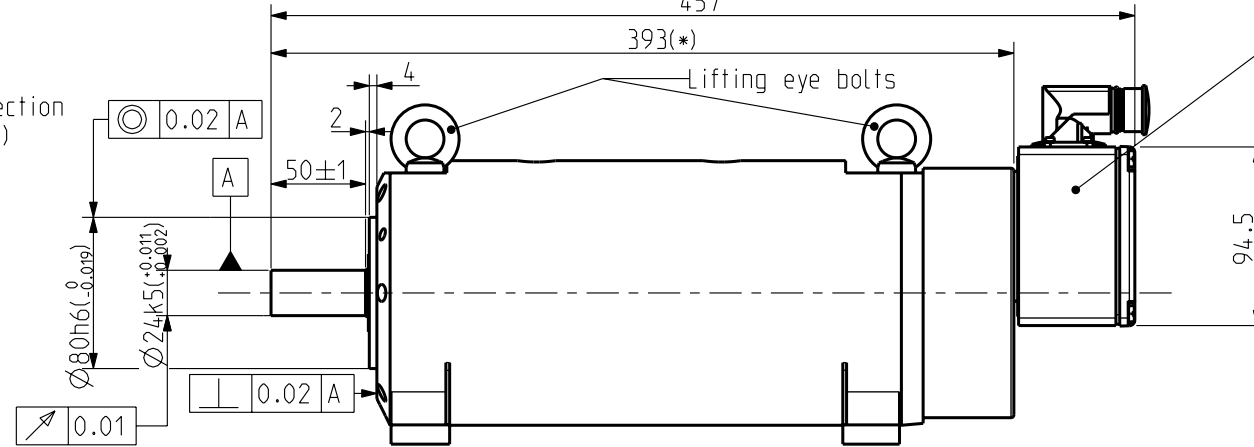
12 pins resolver contact

Power input (see detail A)

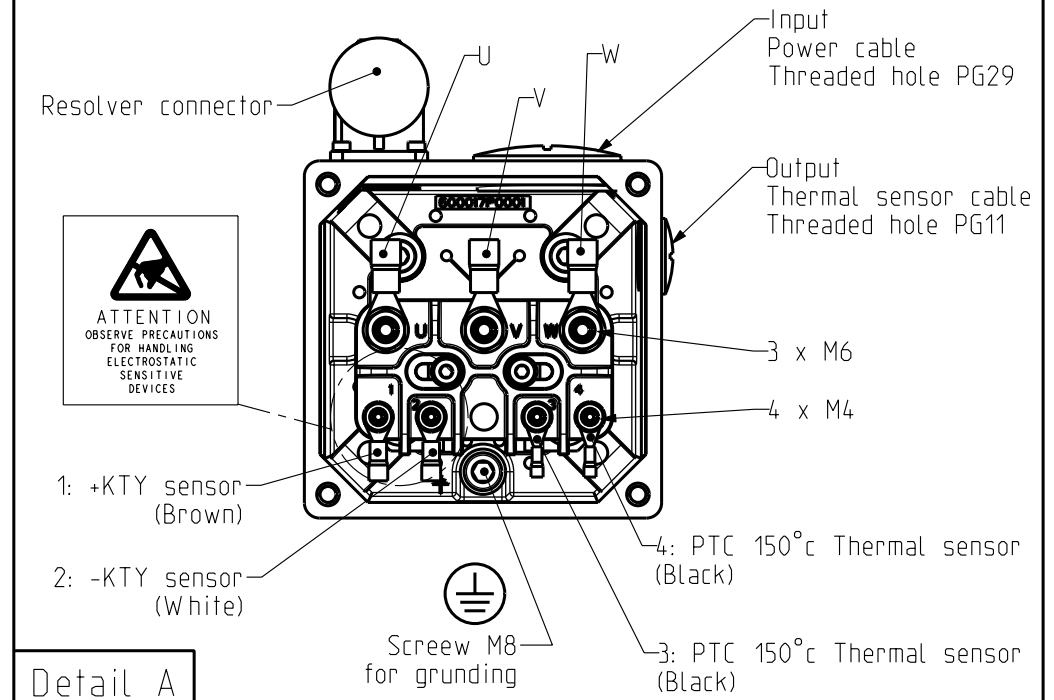
Output thermal protection (see detail A)



2 x M8 useful length: 16mm for grounding



Terminal box



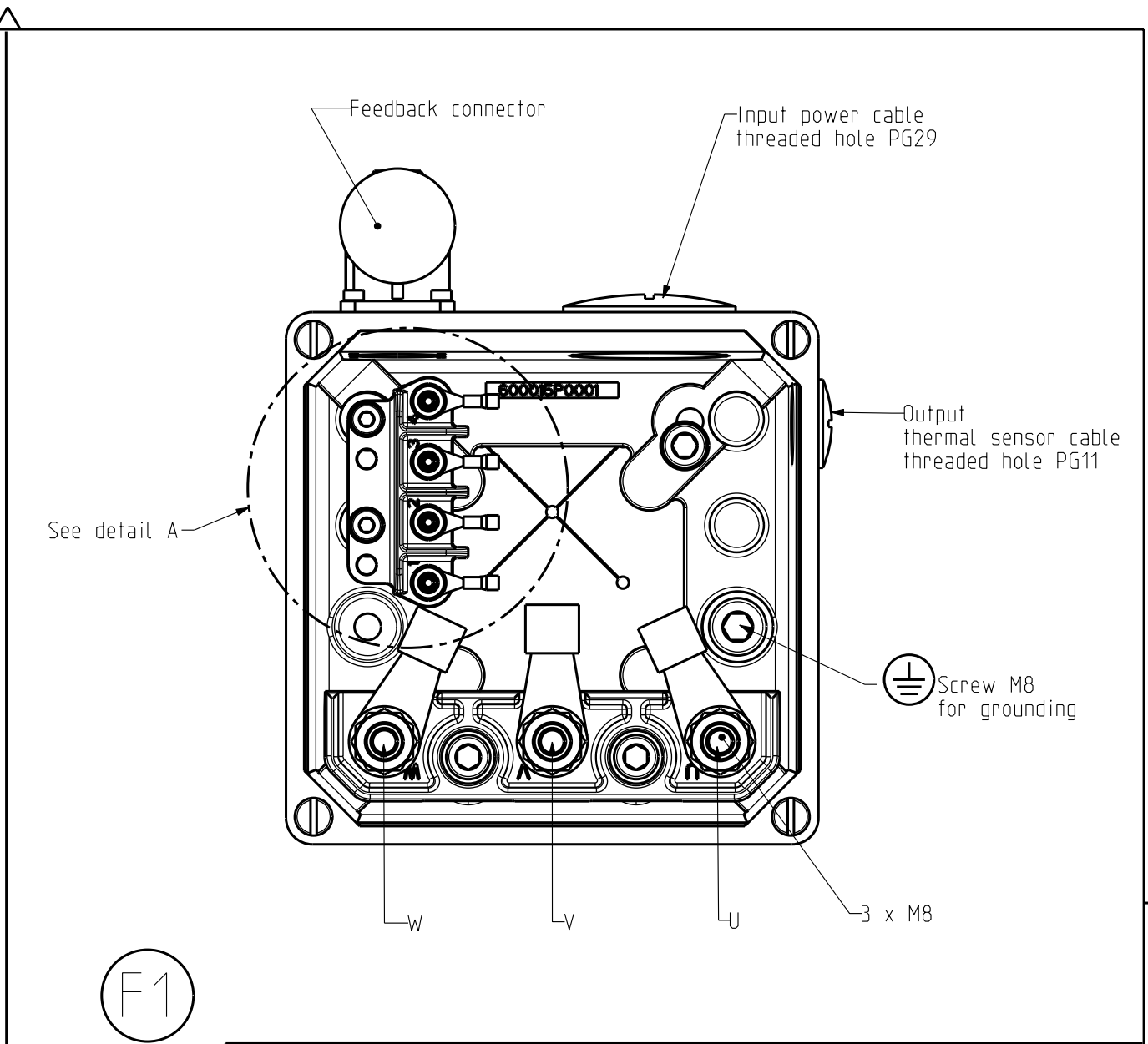
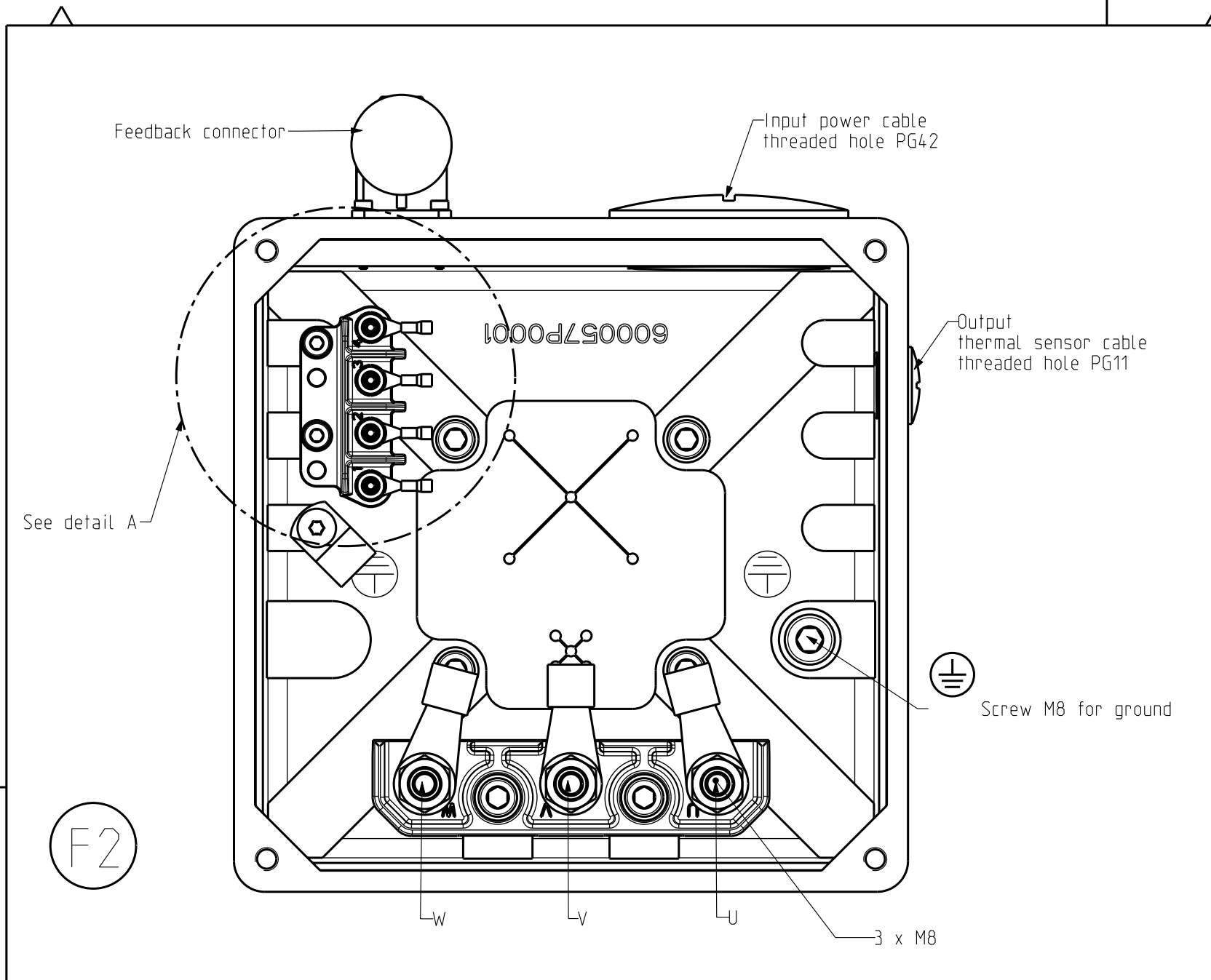
(\*) Dimensions checked for acceptance certificate

Drawing valid for : MG430

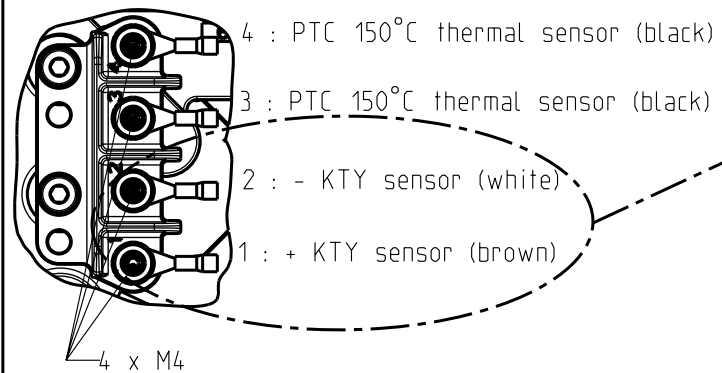
Weight : 35kg	General tolerances DIN ISO 2768 mK	Drawn	02/04/2012	PF	Visa					Scale 1:4	 8 Avenue du Lac. BP30749 21007-DIJON cedex-FRANCE www.parker.com	MGV430	Format	F	E	S	G	I		
		Modifications	C	AM24040 - 23/01/2013	PF									A3	x					
This document is the property of PARKER. Transmission as well as reproduction or copy is not permitted without written authorisation.			A	AM23841 - 11/04/12	OD	D	AM24091 - 09/04/2013	PF				OUTLINE DRAWING	345259E6000							



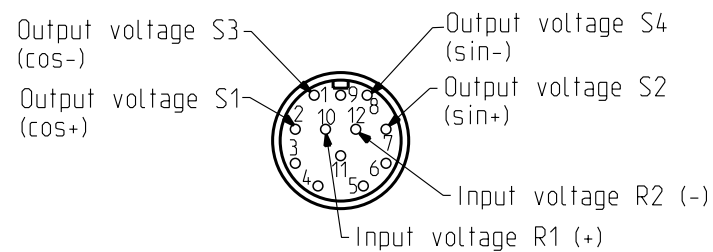




Detail A



RESOLVER CONNECTOR



F VIEW (see folio 1)

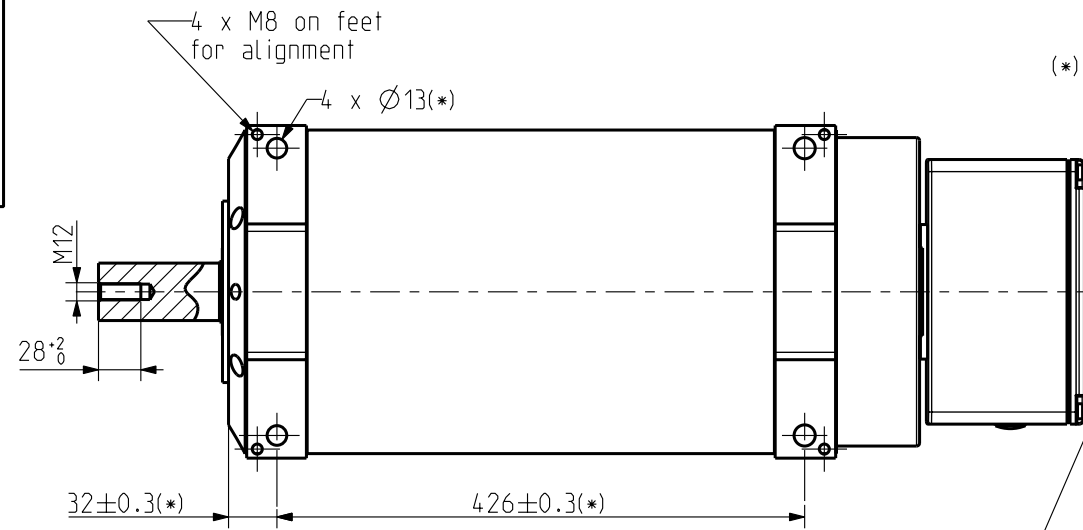
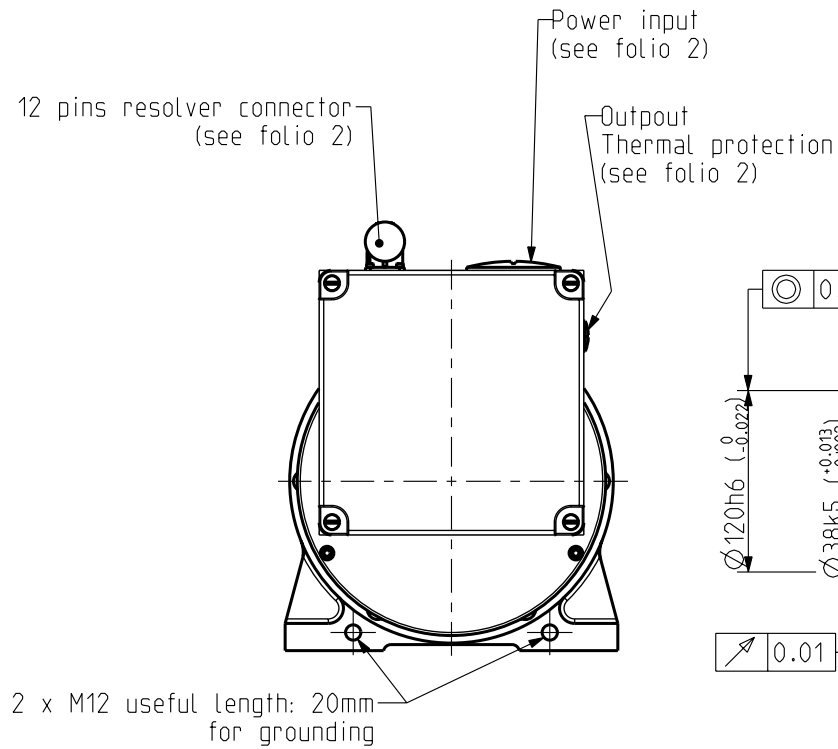
Motor type	Active part	Terminal box
MGV840C AR/CAP/CAH	HKW 155_160C AR/CAP/CAH	F1
MGV840C AF/CAD	HKW 155_160C AF/CAD	F2
MGV860C BE/CBD	HKW 155_240C BE/CBD	F2

Drawing valid for : MGV840 / MGV860

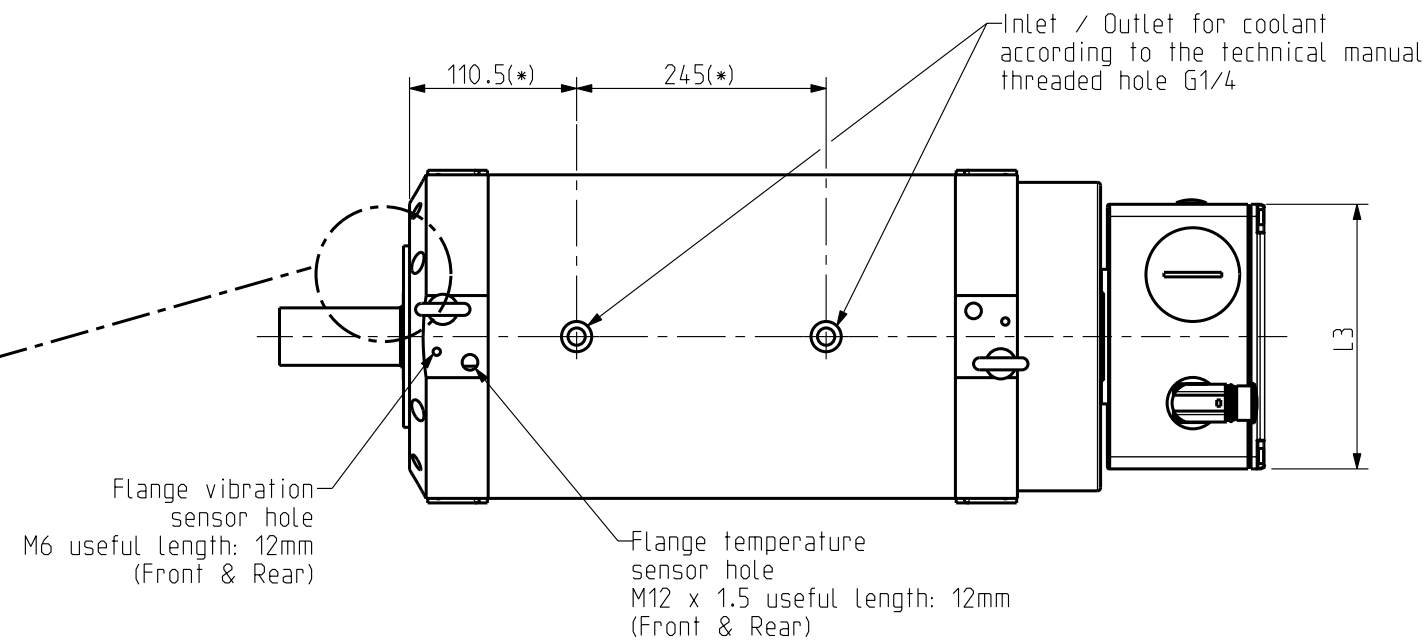
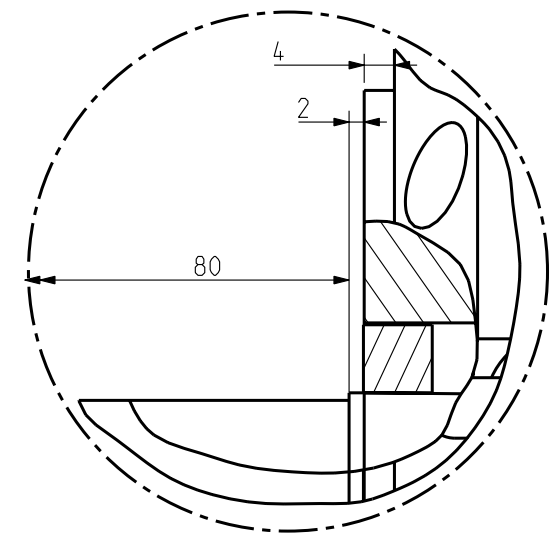
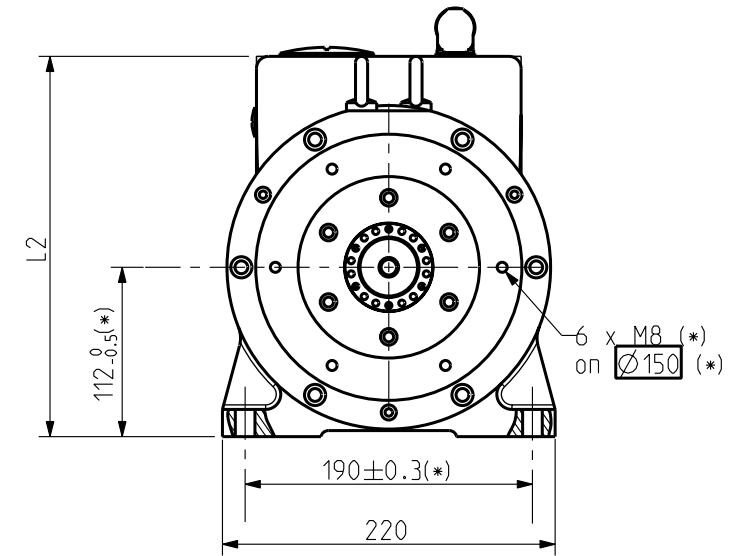
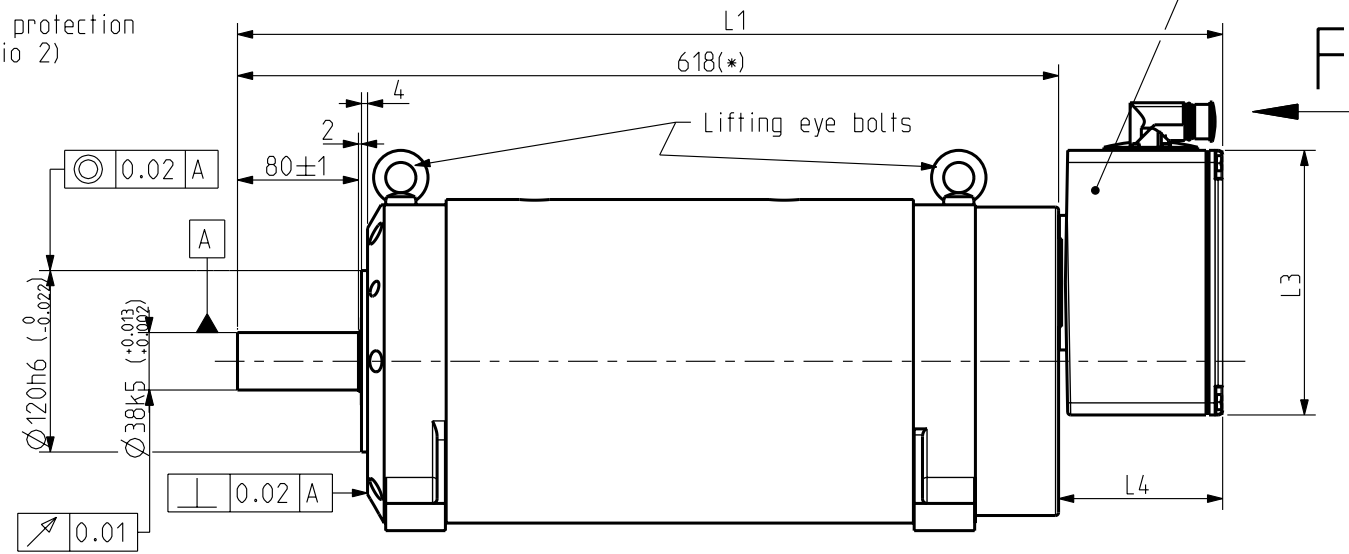
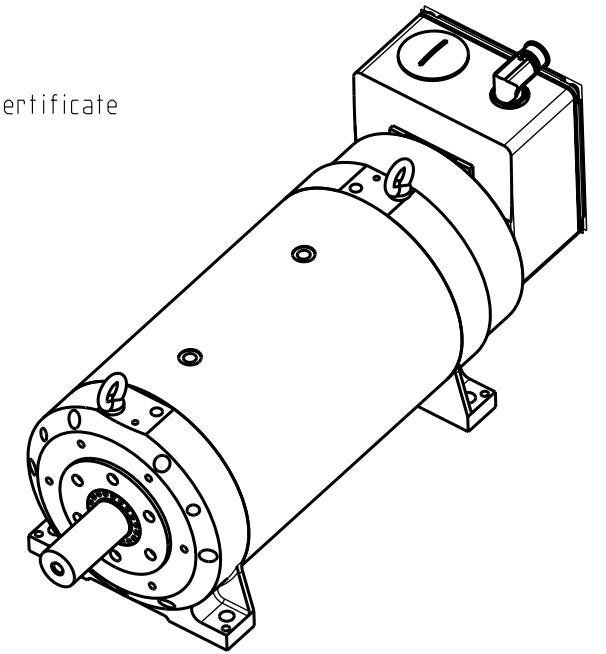
Weight :	General tolerances DIN ISO 2768 mK	Drawn	22/02/2012	PF	Visa	Scale 1:2	 8 Avenue du Lac. BP30749 21007-DIJON cedex-FRANCE www.parker.com	MGV840	Format	F	E	S	G	I
		Modifications	C	AM24040 - 23/01/2013 PF	E				AM24550 - 02/06/2016 PF	A3	x			
This document is the property of PARKER. Transmission as well as reproduction or copy is not permitted without written authorisation.		A	AM23841 - 11/04/12 OD	D	AM24091 - 09/04/2013 PF			OUTLINE DRAWING	345263E6000			E		

Resolver : CB52  
 IP40  
 Paint : White RAL 9010  
 TOTAL INERTIA : 0.0215 kg.m<sup>2</sup>

(\* Dimensions checked for acceptance certificate)



Terminal box can be rotated by 90° or 180° according to the technical manual



Motor	L1	L2	L3	L4	Terminal box	Weight
MGV860CBE	727	252	175	109	SEE FOLIO 2	135 kg

Drawing valid for : MGV860

Weight :	General tolerances DIN ISO 2768 mK	Drawn	28/09/2015	PF	Visa					
		Modifications								

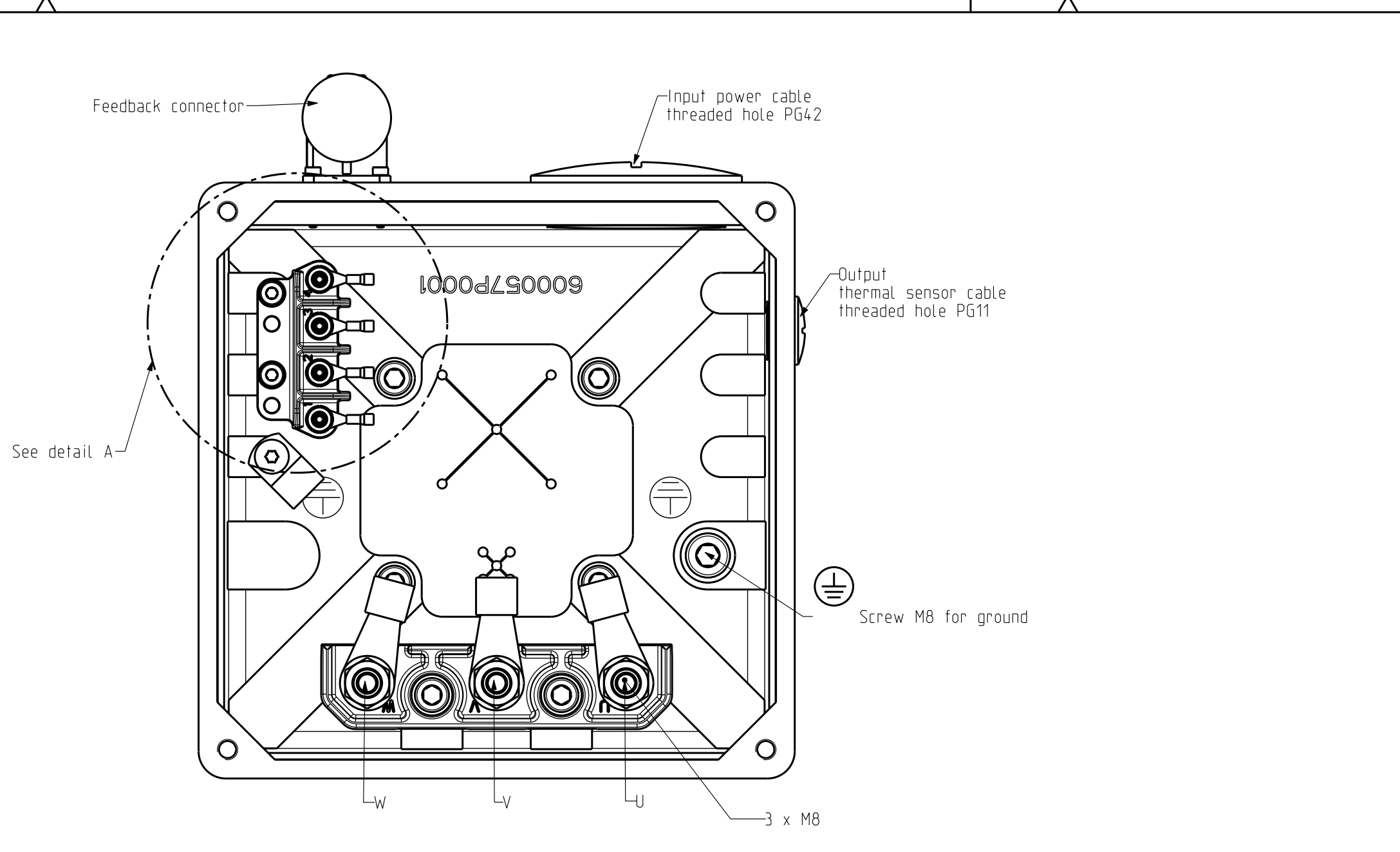
Scale  
1:2

8 Avenue du Lac. BP30749  
21007-DIJON cedex-FRANCE  
www.parker.com

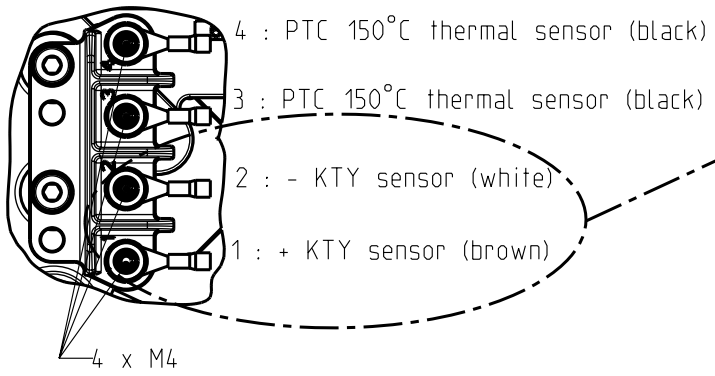
MGV860  
OUTLINE DRAWING

Format	F	E	S	G	I
A3	x				
345263E6004					

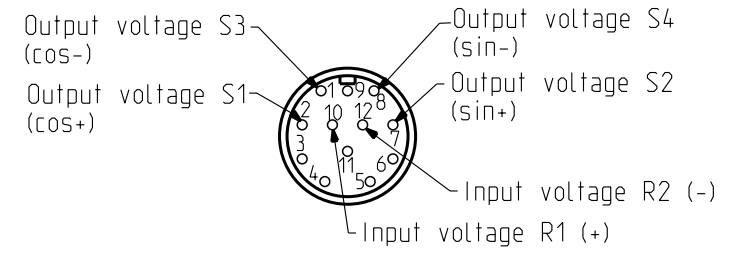
This document is the property of PARKER. Transmission as well as reproduction or copy is not permitted without written authorisation.



Detail A



RESOLVER CONNECTOR



F VIEW (see folio 1)

Drawing valid for : MG860

Weight :	General tolerances DIN ISO 2768 mK	Drawn	28/09/2015	PF	Visa																
		Modifications																			
This document is the property of PARKER. Transmission as well as reproduction or copy is not permitted without written authorisation.																					

Scale 1:2

8 Avenue du Lac. BP30749  
21007-DIJON cedex-FRANCE  
www.parker.com

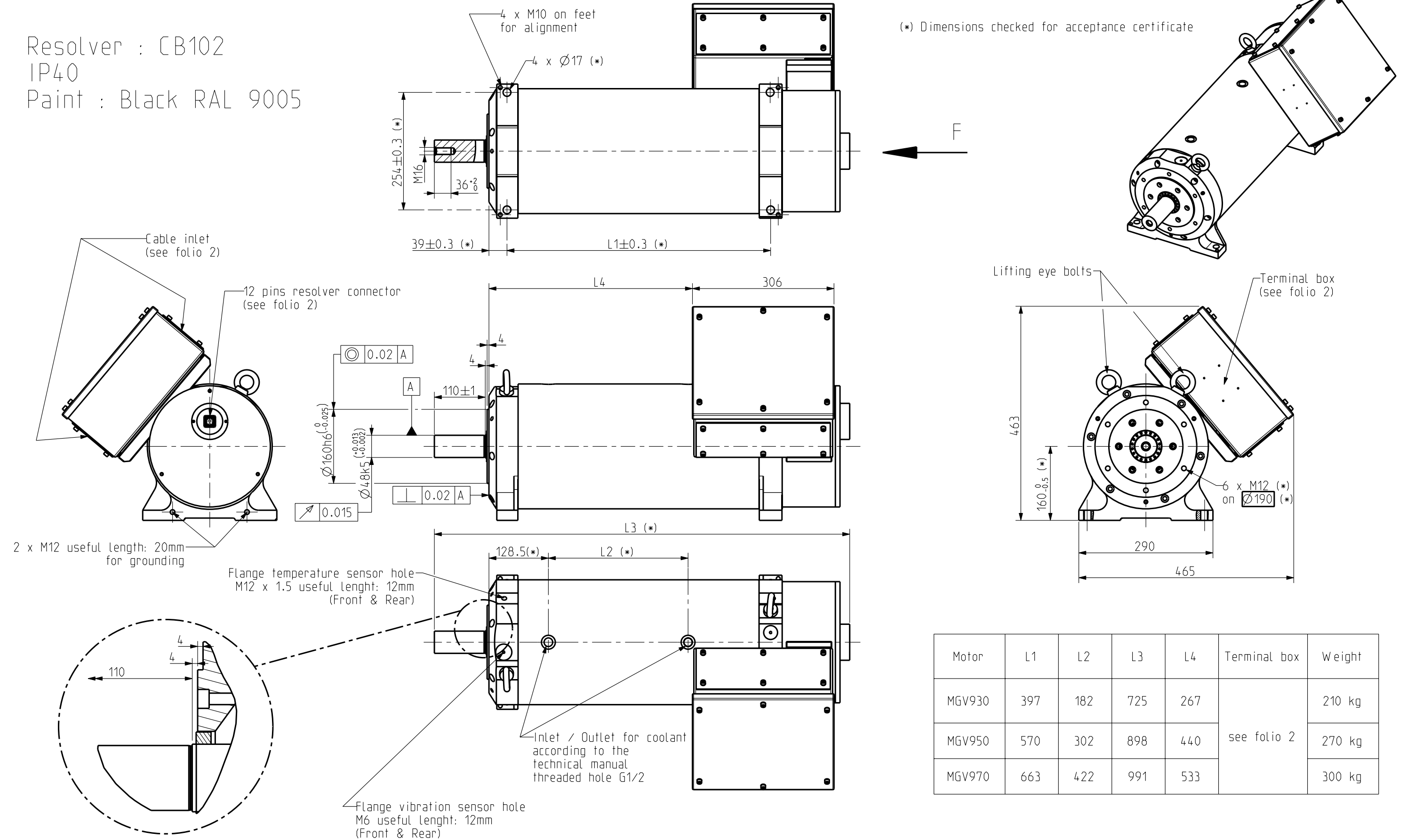
MG860

OUTLINE DRAWING

Format	F	E	S	G	I
A3	x				
345263E6004					

Resolver : CB102  
 IP40  
 Paint : Black RAL 9005

(\* Dimensions checked for acceptance certificate)



Motor	L1	L2	L3	L4	Terminal box	Weight
MGV930	397	182	725	267	see folio 2	210 kg
MGV950	570	302	898	440		270 kg
MGV970	663	422	991	533		300 kg

Drawing valid for : MGV950 / MGV970

Weight :	General tolerances DIN ISO 2768 mK	Drawn	20/12/11	AH	Visa	Scale 13:100	 8 Avenue du Lac. BP30749 21007-DIJON cedex-FRANCE www.parker.com	MGV900					Format A3	F	E	S	G	I
		Modifications	C	AM23821 - 12/03/2012 PF	F			AM24091 - 09/04/2013 PF	OUTLINE DRAWING					345265E6000				
This document is the property of PARKER. Transmission as well as reproduction or copy is not permitted without written authorisation.			B	AM23806 - 20/02/2012 PF	E	AM23885 - 19/06/2012 PF						G						
			G	AM24295 - 20/05/2014 PF	D	AM23841 - 12/04/2012 OD												

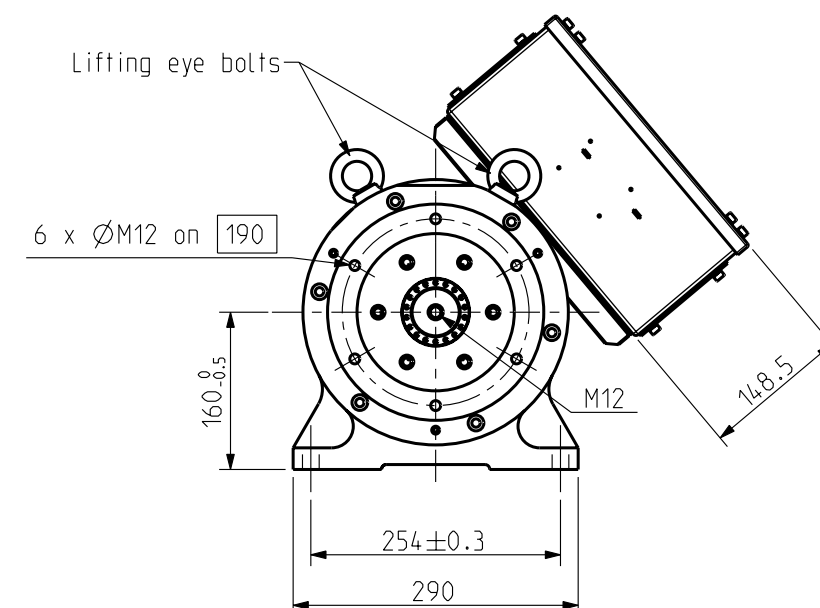
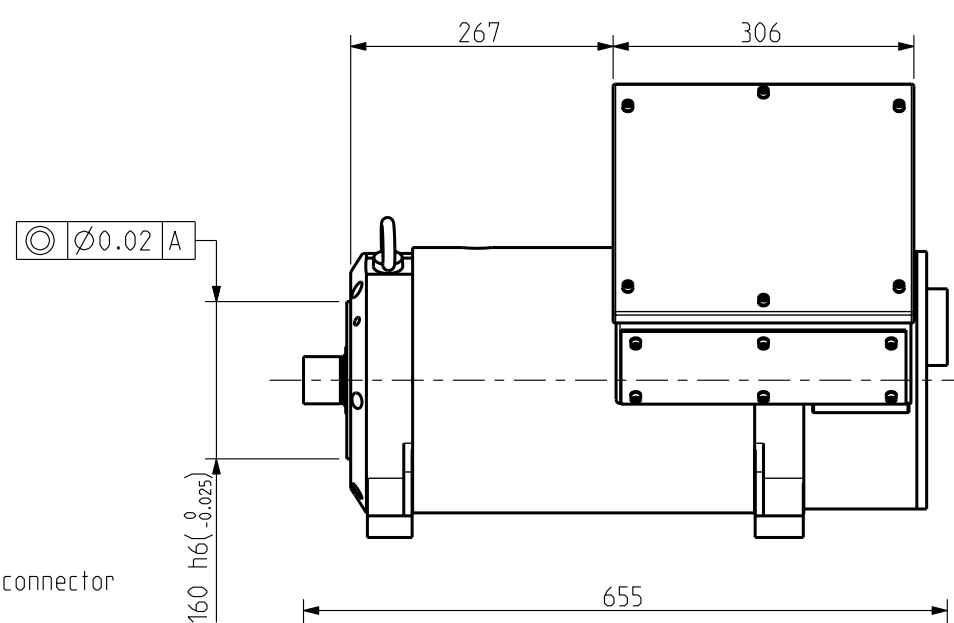
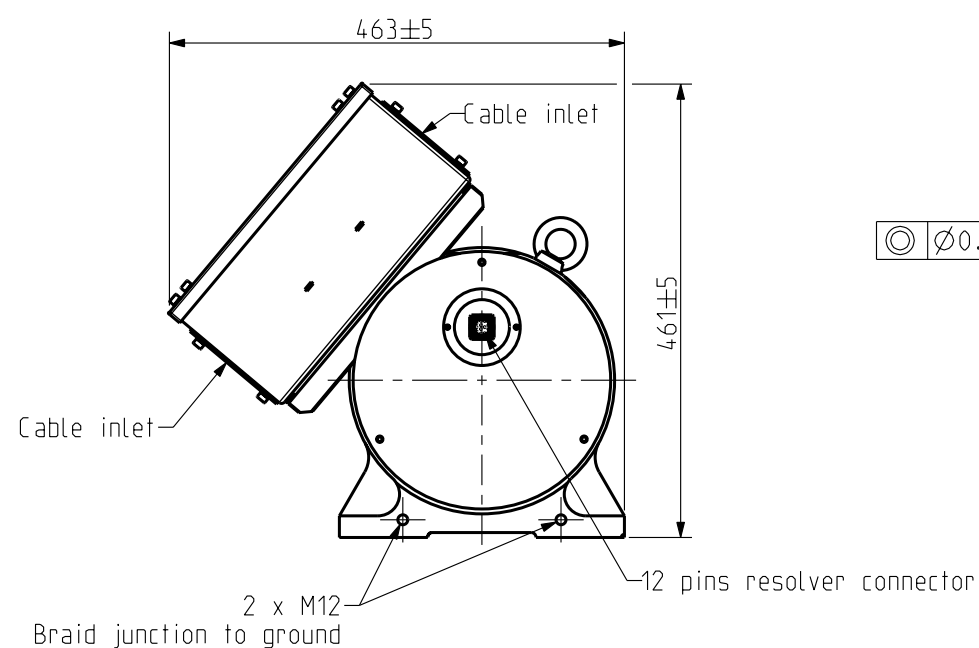
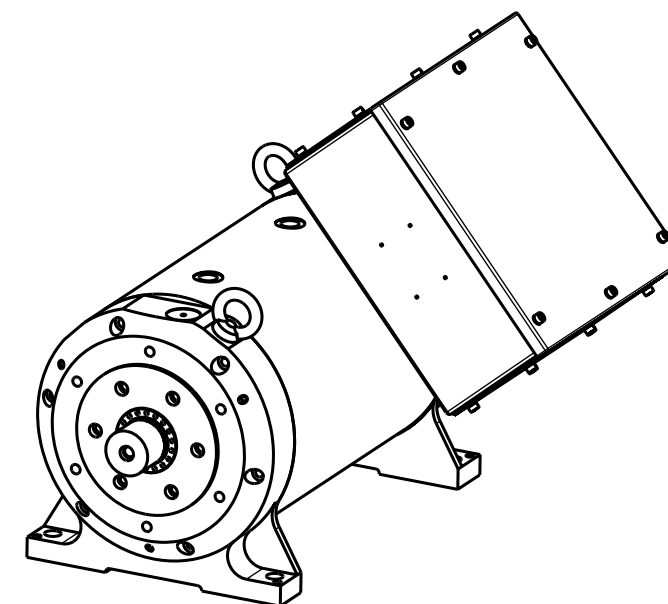
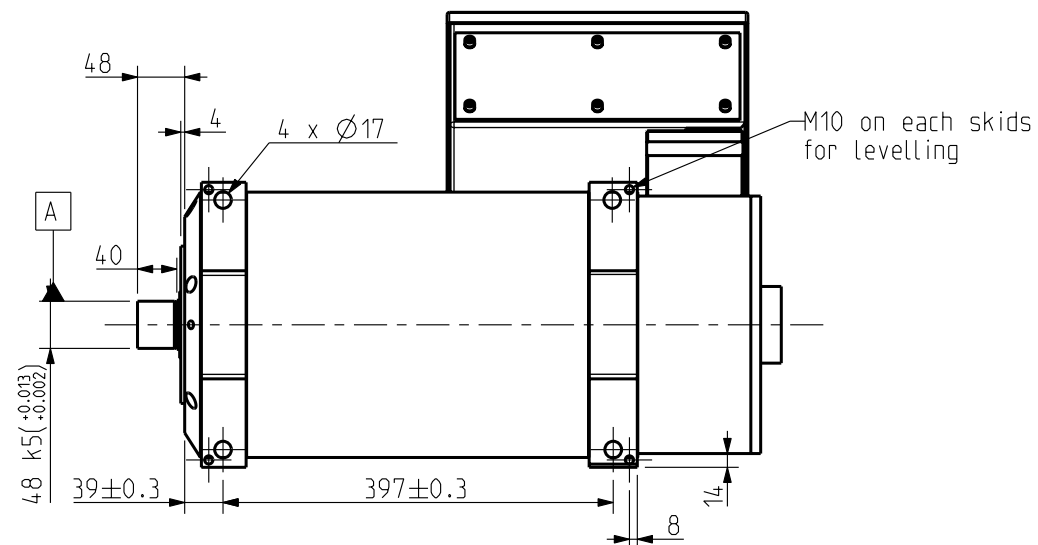




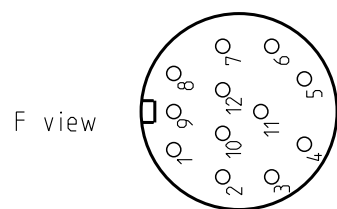
XLife bearings. Max speed 18000rpm  
Maximum radial load permitted : 500N

Sensor : ERM220 - 600 lines  
Active part : HKW195\_180CACR1000

IP40  
Paint : Grey RAL 7035



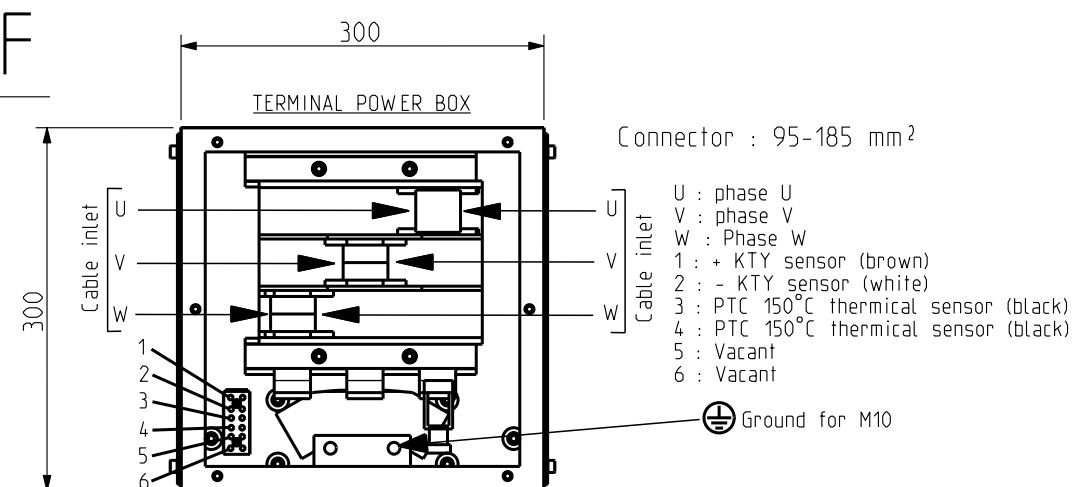
FEEDBACK CONNECTOR



Flange temperature sensor hole M12x12 (front & rear)

Flange vibration sensor hole M6 x12 (front & rear)

Input/Output cooling additivated water G1/2 , face Ø32



Connector : 95-185 mm<sup>2</sup>

- U : phase U
- V : phase V
- W : Phase W
- 1 : + KTY sensor (brown)
- 2 : - KTY sensor (white)
- 3 : PTC 150°C thermal sensor (black)
- 4 : PTC 150°C thermal sensor (black)
- 5 : Vacant
- 6 : Vacant

Incremental signals TTL

Power supply				Incremental signals						Other signals	
12	2	10	11	5	6	8	1	3	4	7	9
Up	Sensor Up	0V	Sensor 0V	A1	A1\	A2	A2\	A0	A0\	AS\	Vacant

Plan valable pour : - MGV930CACKB3XR6001

Masse : 210 kg

General tolerances

Dessine 19/12/11 AH Vise

Modifications			
B	AM 23774	17/01/12	AH
A	AM 23769	11/01/12	AH



Echelle

13:100



8 Avenue du Lac. BP30749  
21007-DIJON cedex-FRANCE  
www.parker.com

MGV930

ENCOMBREMENT

Format A3

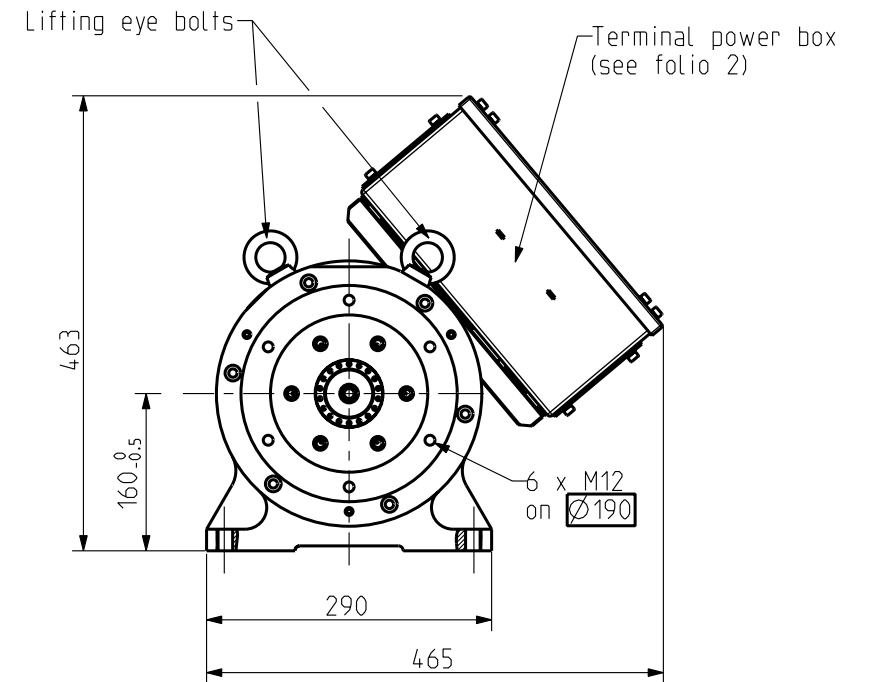
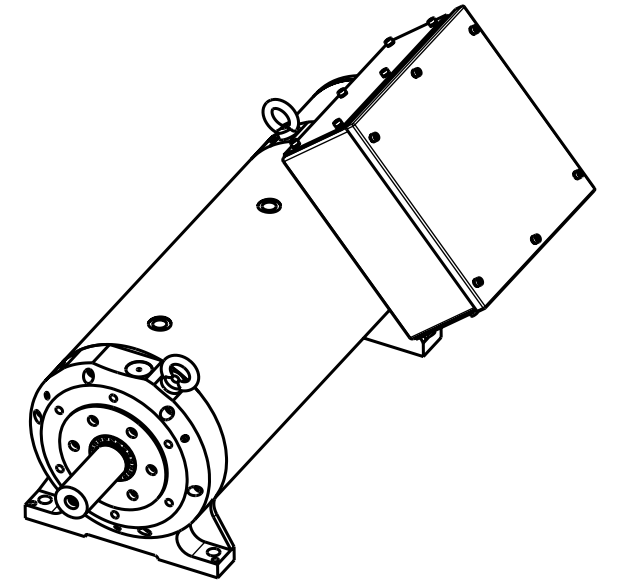
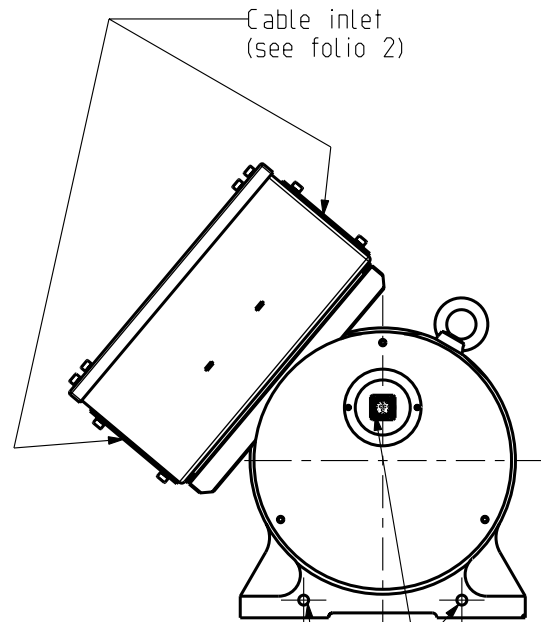
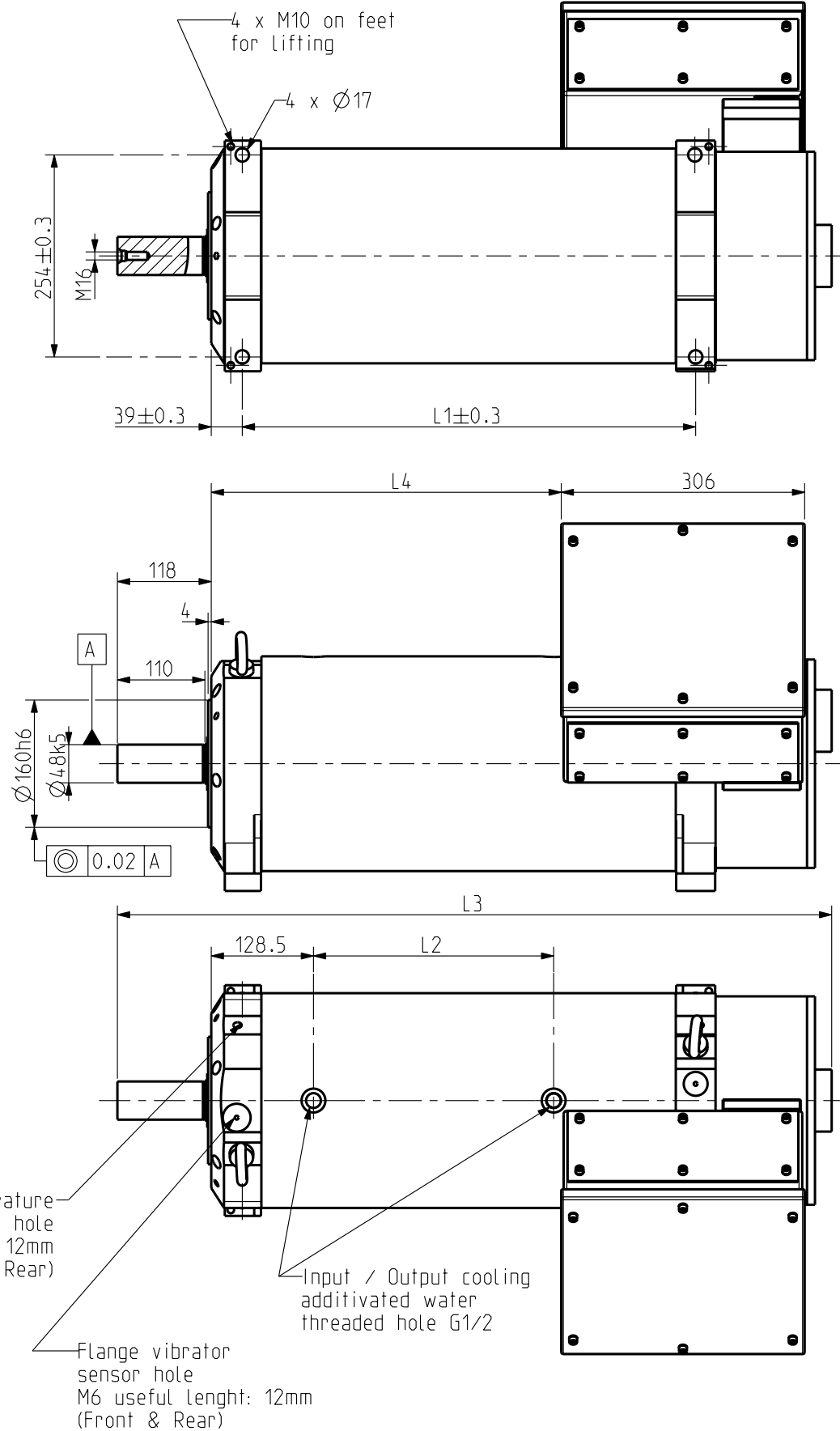
345265E6001

B

Ce document, propriété exclusive de PARVEX, ne peut être communiqué, copié ou reproduit totalement ou partiellement sans son autorisation écrite.

DIN ISO 2768 mK

Resolver : CB102  
 IP40  
 Paint : Black RAL 9005



Motor	L1	L2	L3	L4	Terminal power box	Weight
MGV930	397	182	725	267	see folio 2	210 kg

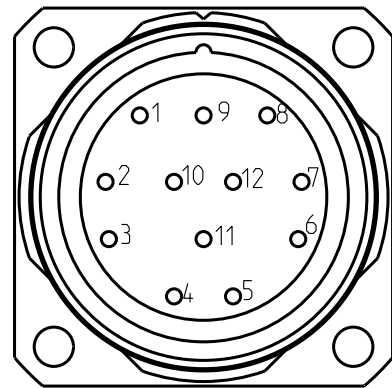
Plan valable pour : -

Masse :	General tolerances	Dessine	15/02/2012	PF	Vise														
Ce document, propriete exclusive de PARVEX, ne peut etre communique, copie ou reproduit totalement ou partiellement sans son autorisation ecríte.	DIN ISO 2768 mK	Modifications																	

Echelle  
 13:100  
  
 8 Avenue du Lac. BP30749  
 21007-DIJON cedex-FRANCE  
 www.parker.com

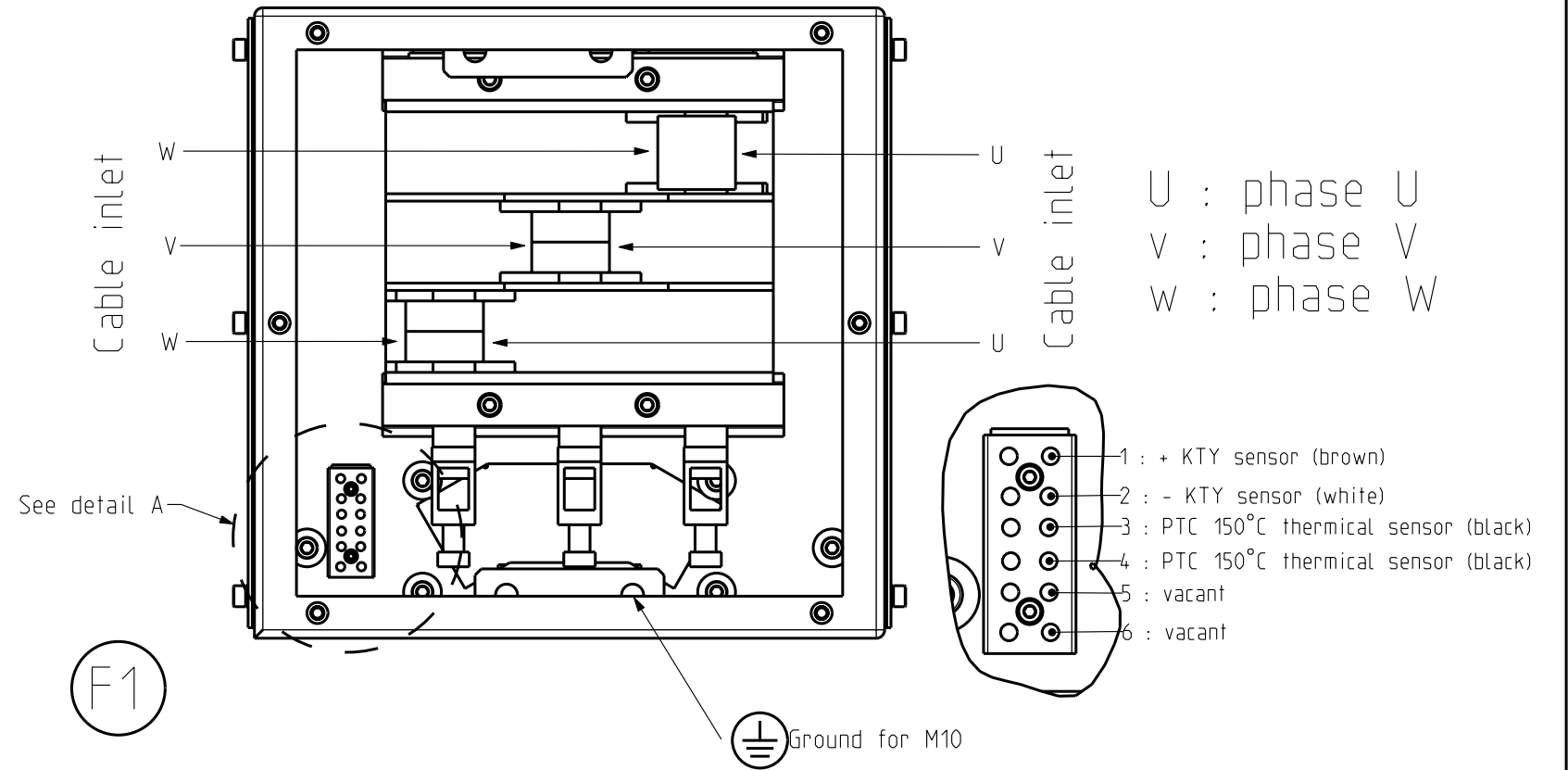
MGV900  
 ENCUMBREMENT

Format	F	E	S	G	I
A3	x				
345265E6002					



PIN	SIGNAL
1	Output voltage S3 (cos-)
2	Output voltage S1 (cos+)
3	
4	
5	
6	
7	Output voltage S2 (sin+)
8	Output voltage S4 (sin-)
9	
10	Input voltage R1
11	
12	Input voltage R2

FEEDBACK CONNECTOR



-Terminal box for current < 320 A, the maxi cable cross section is between 95 to 300 mm<sup>2</sup>  
-Terminal box for current between 320 to 560 A, the maxi cable cross section is between 150 to 300 mm<sup>2</sup>

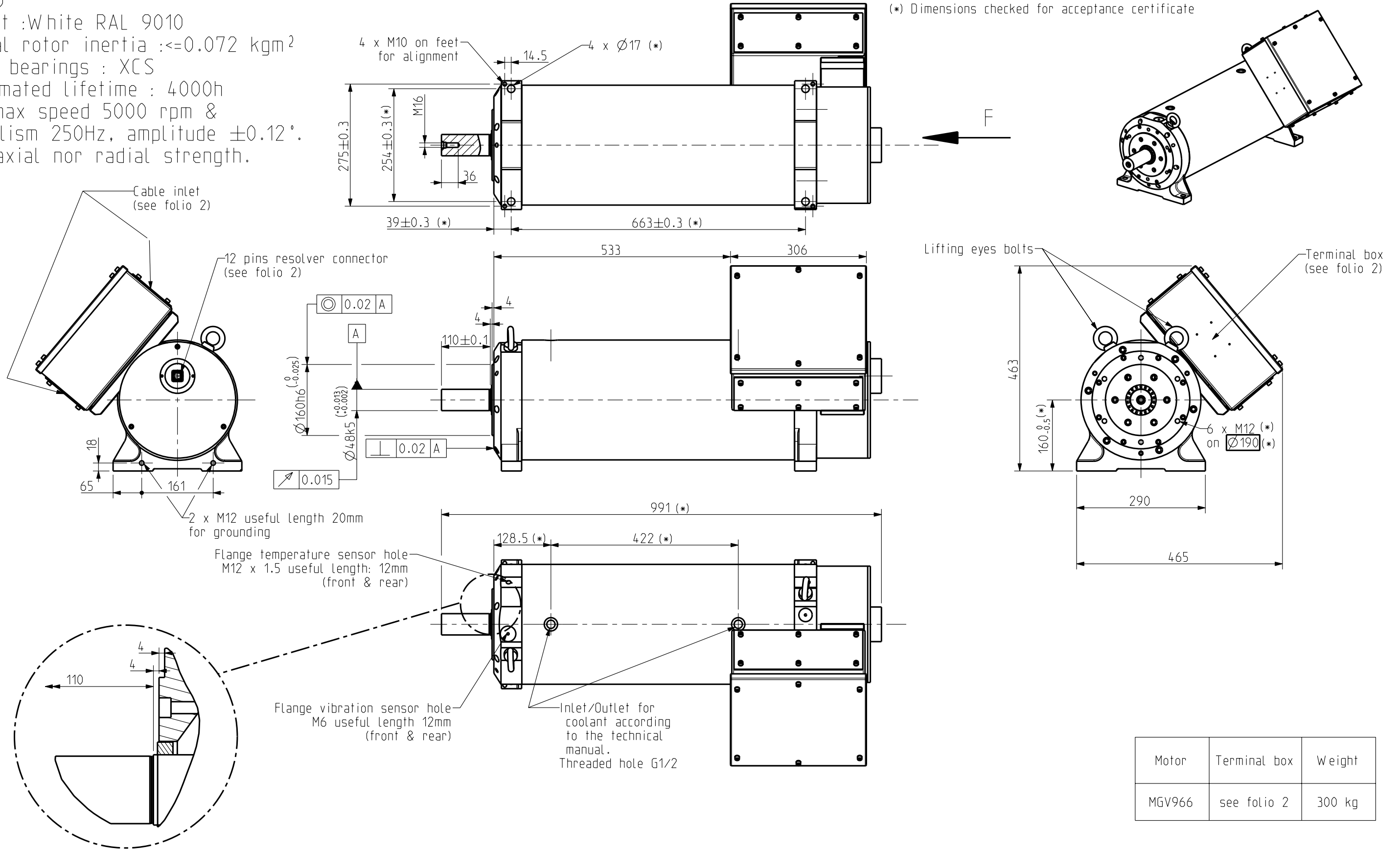
Motor type	Active part	Terminal power box
MGV930CAC	HKW 195_180CACR1000	F1

Plan valable pour : -

Masse :	General tolerances	Dessine	15/02/2012	PF	Vise														
Ce document, propriété exclusive de PARVEX, ne peut être communiqué, copié ou reproduit totalement ou partiellement sans son autorisation écrite.	DIN ISO 2768 mK	Modifications																	
											<p>MGV900</p> <p>ENCOMBREMENT</p>		<p>Format A3</p> <p>345265E6002</p>		<p>F E S G I</p> <p>x</p>		<p>-</p>		
<p>Echelle 13:100</p> <p>8 Avenue du Lac. BP30749 21007-DIJON cedex-FRANCE www.parker.com</p>																			

Resolver : CB102  
 IP40  
 Paint :White RAL 9010  
 Total rotor inertia : $\leq 0.072 \text{ kgm}^2$   
 Ball bearings : XCS  
 Estimated lifetime : 4000h  
 at max speed 5000 rpm &  
 acyclism 250Hz, amplitude  $\pm 0.12^\circ$ .  
 No axial nor radial strength.

(\* Dimensions checked for acceptance certificate)

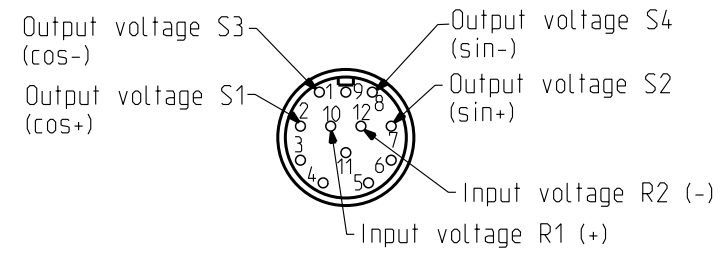


Motor	Terminal box	Weight
MGV966	see folio 2	300 kg

Drawing valid for : MGV966DHRAB3XR6004 and MGV966DAXAB3XR6004

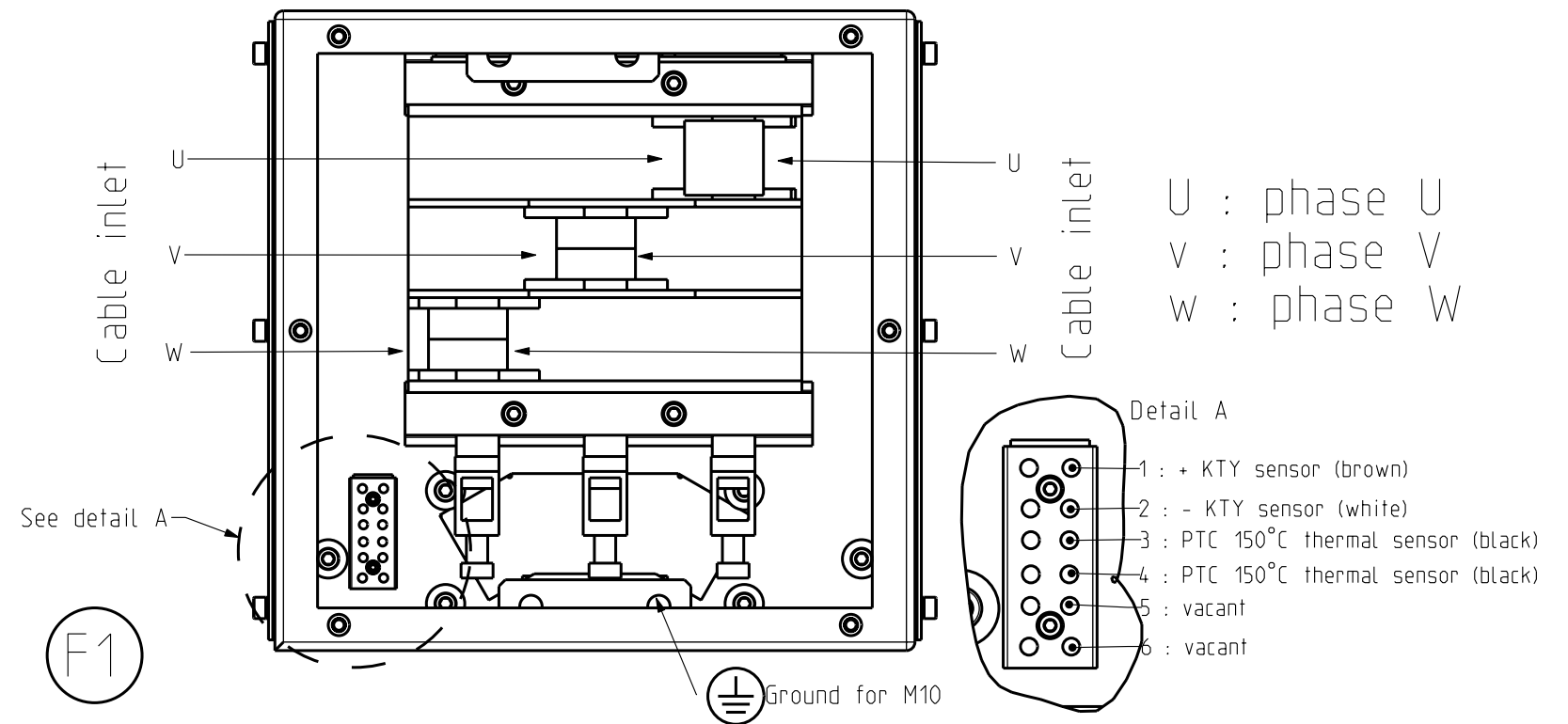
Weight :	General tolerances	Drawn	11/01/16	AH	Visa					Scale 13:100	 8 Avenue du Lac. BP30749 21007-DIJON cedex-FRANCE www.parker.com	MGV966	Format	F	E	S	G	I	
	DIN ISO 2768 mK	Modifications												A3	x				
This document is the property of PARKER. Transmission as well as reproduction or copy is not permitted without written authorisation.													AM24492 13/01/16 AH		345265E6004		A		

RESOLVER CONNECTOR



F View

Motor type	Active part	Terminal box	Current A rms
MGV966DHR	HKW 195_400DHR	F1	384
MGV966DAX	HKW 195_400DAX	F1	505

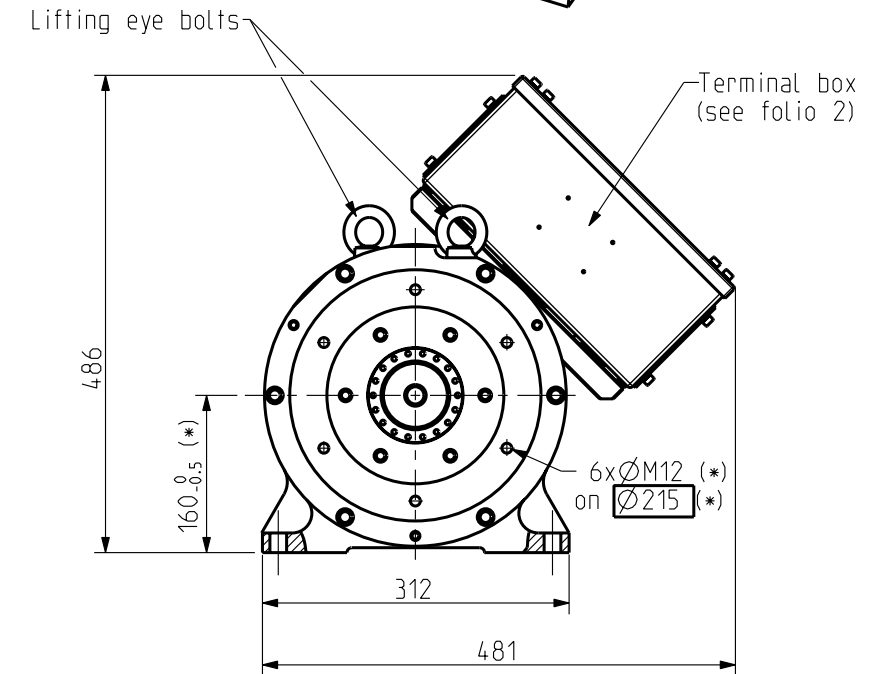
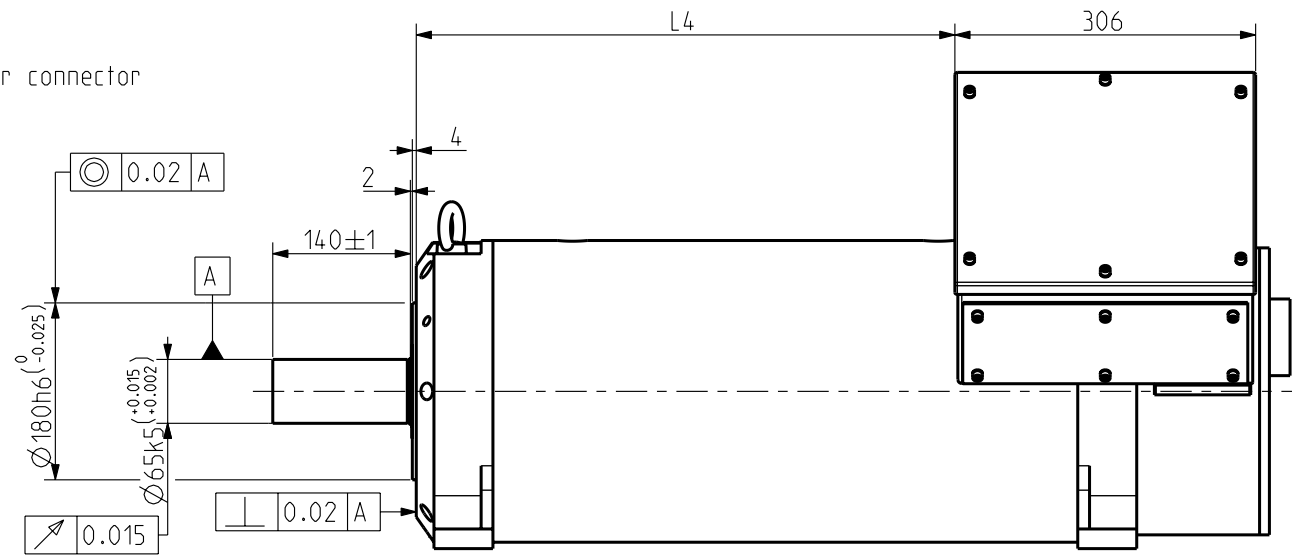
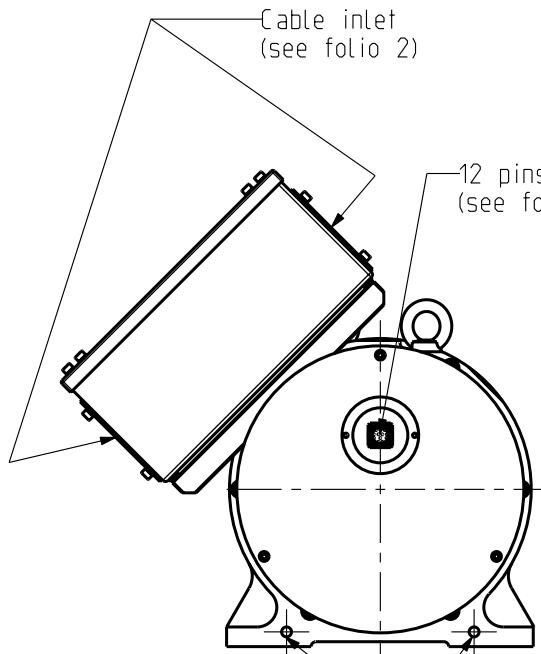
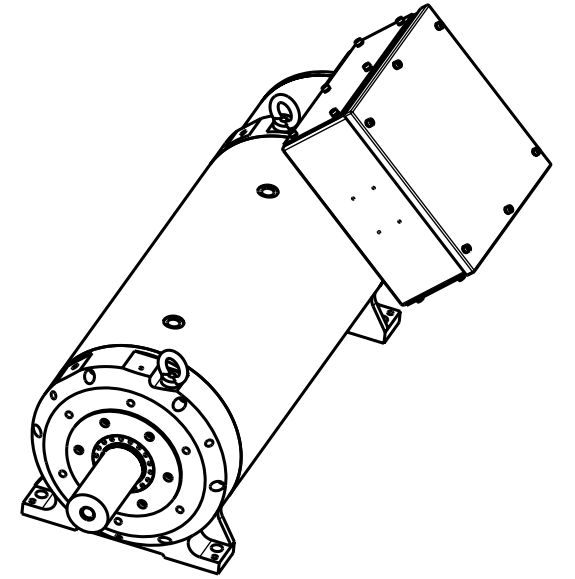
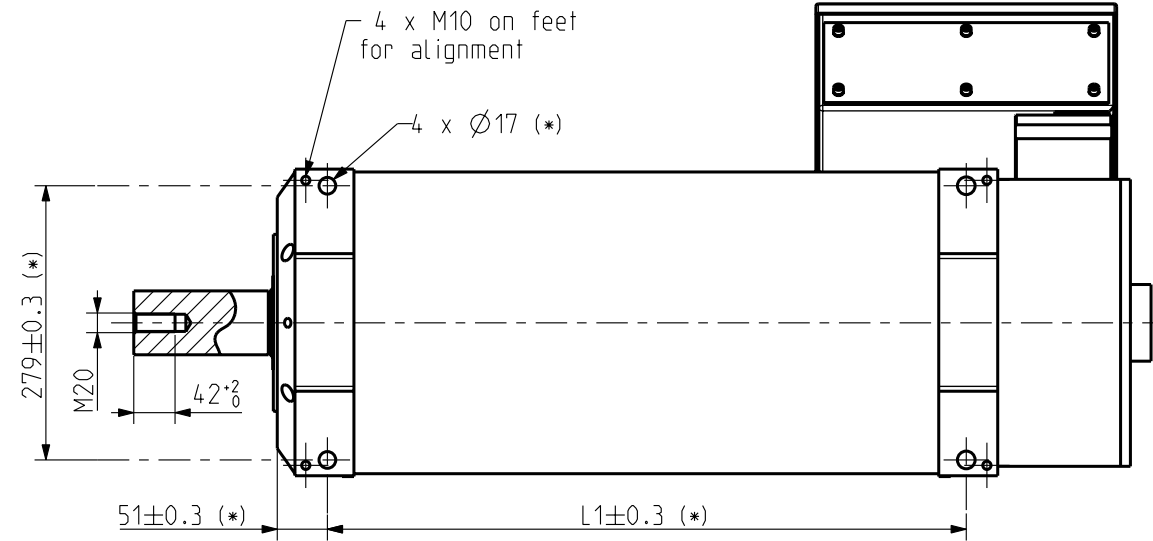


-Terminal box for current < 320 A, the cable cross section is between 95 to 185 mm<sup>2</sup>  
 -Terminal box to current between 320 to 560 A, the cable cross section is between 150 to 300 mm<sup>2</sup>

Drawing valid for : MGV966DHRAB3XR6004 and MGV966DAXAB3XR6004

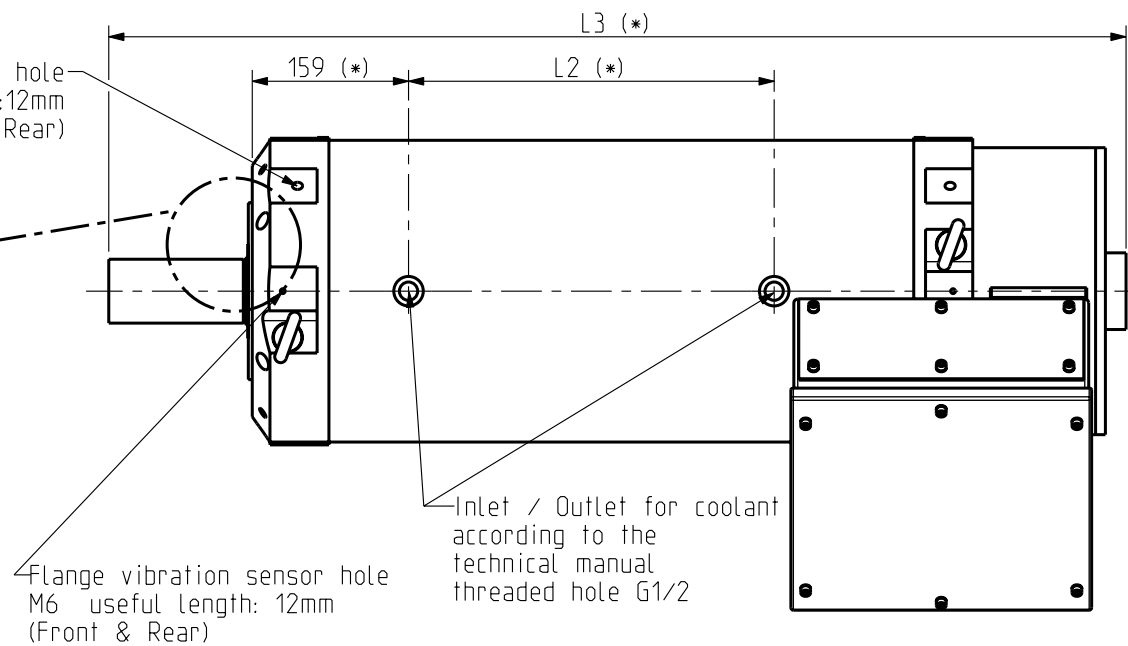
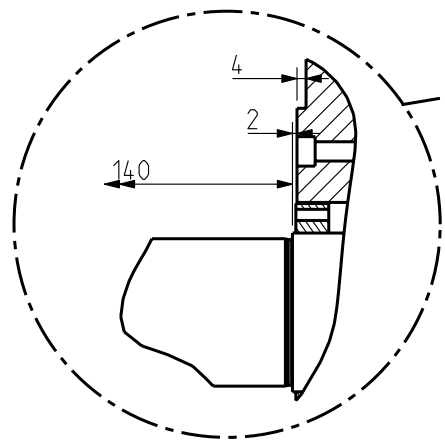
Weight :	General tolerances DIN ISO 2768 mK	Drawn	11/01/16	AH	Visa					Scale 13:100	 8 Avenue du lac. BP30749 21007-DIJON cedex-FRANCE www.parker.com	MGV966	Format	F	E	S	G	I	
		Modifications												A3	x				
This document is the property of PARKER. Transmission as well as reproduction or copy is not permitted without written authorisation.		A	AM24492	13/01/16	AH							OUTLINE DRAWING	345265E6004			A			

Resolver : CB102  
 IP40  
 Paint : Black RAL 9005



2 x M12 useful length: 20mm for grounding

Flange temperature sensor hole  
 M12 x1.5 useful length:12mm  
 (Front & Rear)



Motor	L1	L2	L3	L4	Terminal box	Weight
MGVA50	650	372	1035	552	see folio 2	395 kg

(\*) Dimensions checked for acceptance certificate

Drawing valid for : MGVA50

Weight :	General tolerances DIN ISO 2768 mK	Drawn	09/01/2012	PF	Visa						
		Modifications	C	AM23841 - 12/04/12 OD							
		B	AM23821 - 12/03/2012 PF								
This document is the property of PARKER. Transmission as well as reproduction or copy is not permitted without written authorisation.		A	AM23806 - 20/02/2012 PF		D	AM24091 - 09/04/2013 PF					

Scale  
1:5

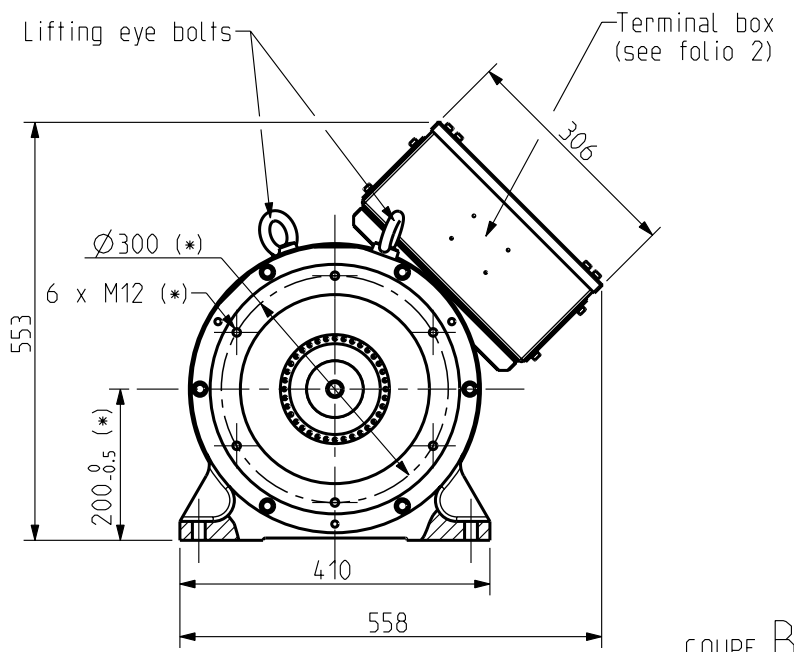
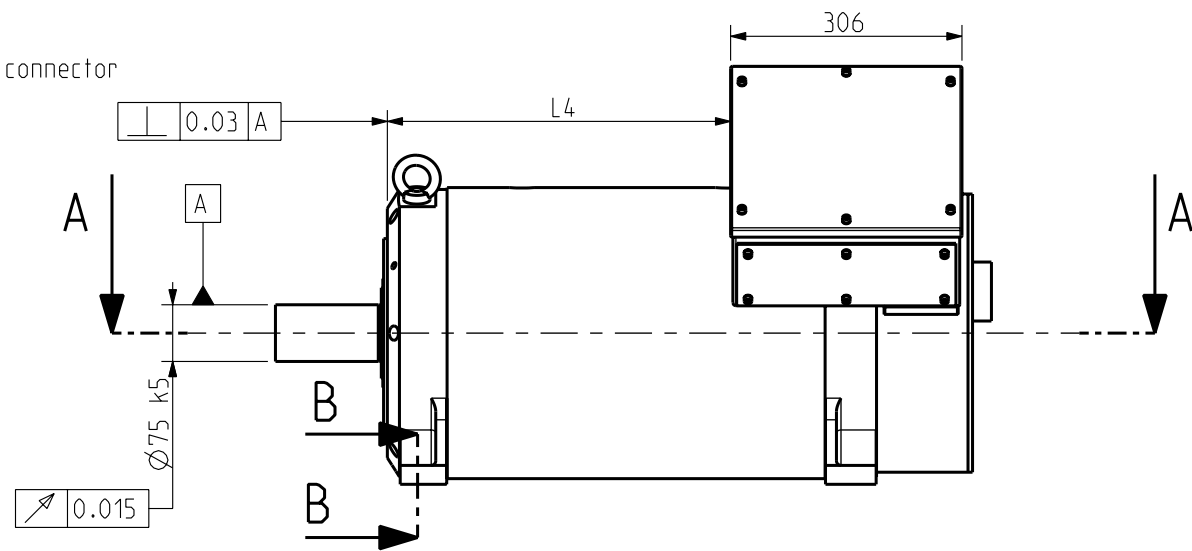
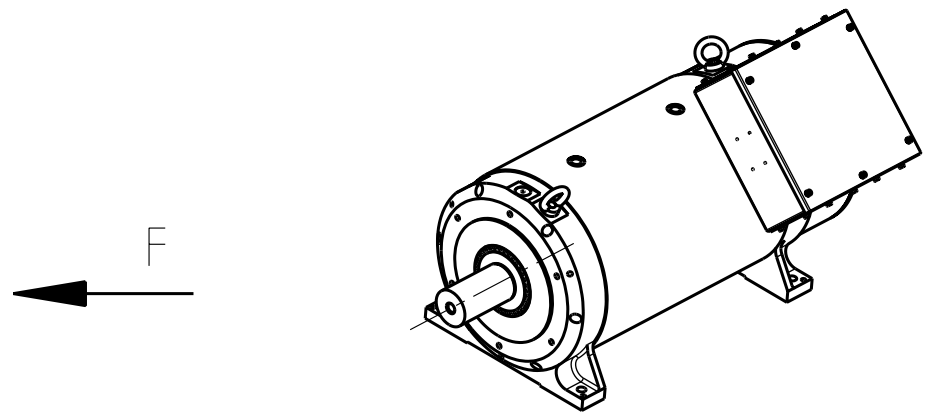
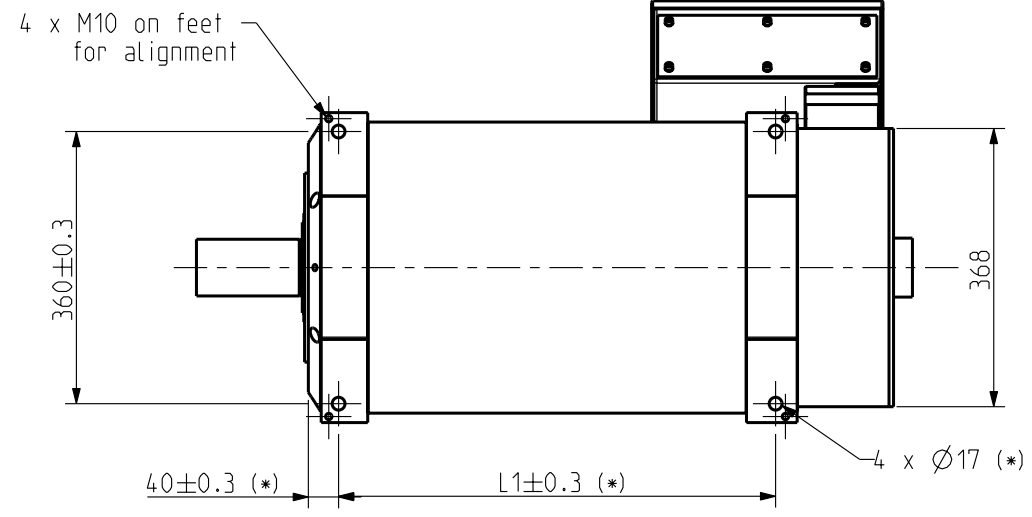
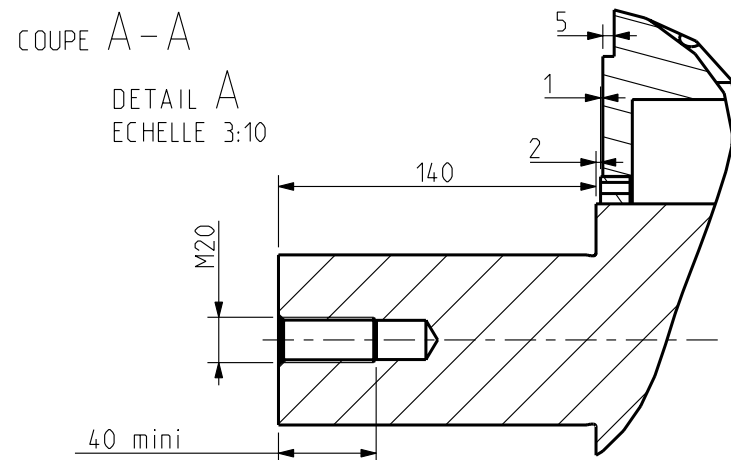
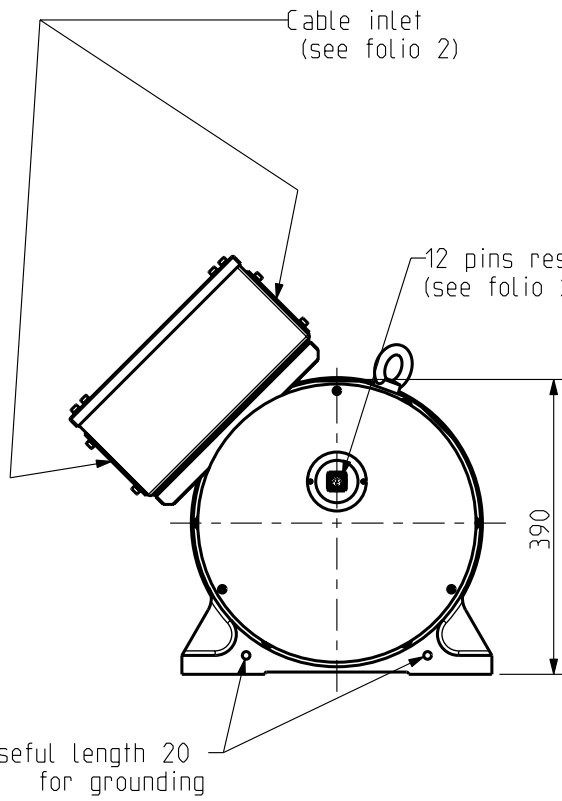
8 Avenue du Lac. BP30749  
 21007-DIJON cedex-FRANCE  
 www.parker.com

MGVA	Format	F	E	S	G	I	
	A3	x					
OUTLINE DRAWING	345267E6000						

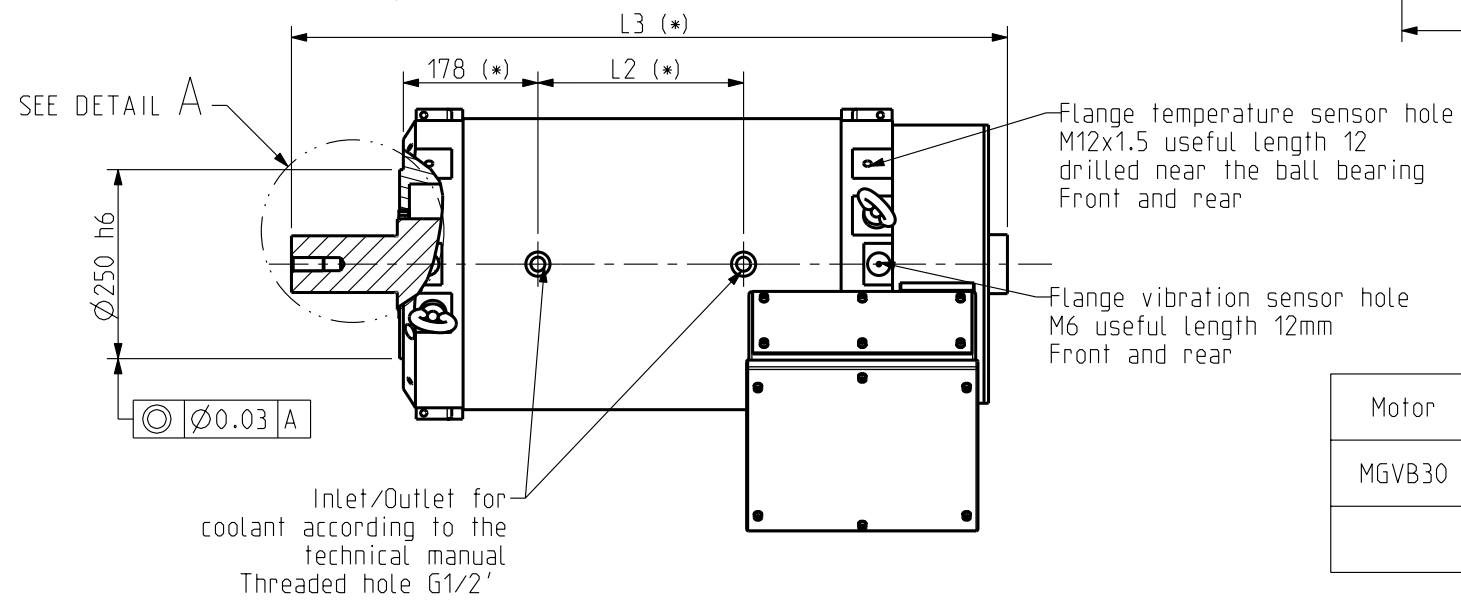




Resolver : CB102  
 IP40  
 Paint :White RAL 9010



COUPE B-B  
 ECHELLE 1:10



Motor	L1	L2	L3	L4	Terminal box	Weight
MGVB30	578	272	947	454	see folio 2	570 kg

(\* ) Dimensions checked for acceptance certificate

Drawing valid for : MGVB30

Weight :	General tolerances DIN ISO 2768 mK	Drawn	05/10/15	AH	Visa						
		Modifications									

Scale  
1:5

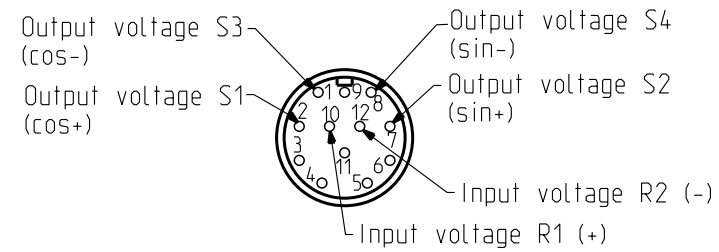
8 Avenue du Lac. BP30749  
 21007-DIJON cedex-FRANCE  
 www.parker.com

MGVB  
 OUTLINE DRAWING

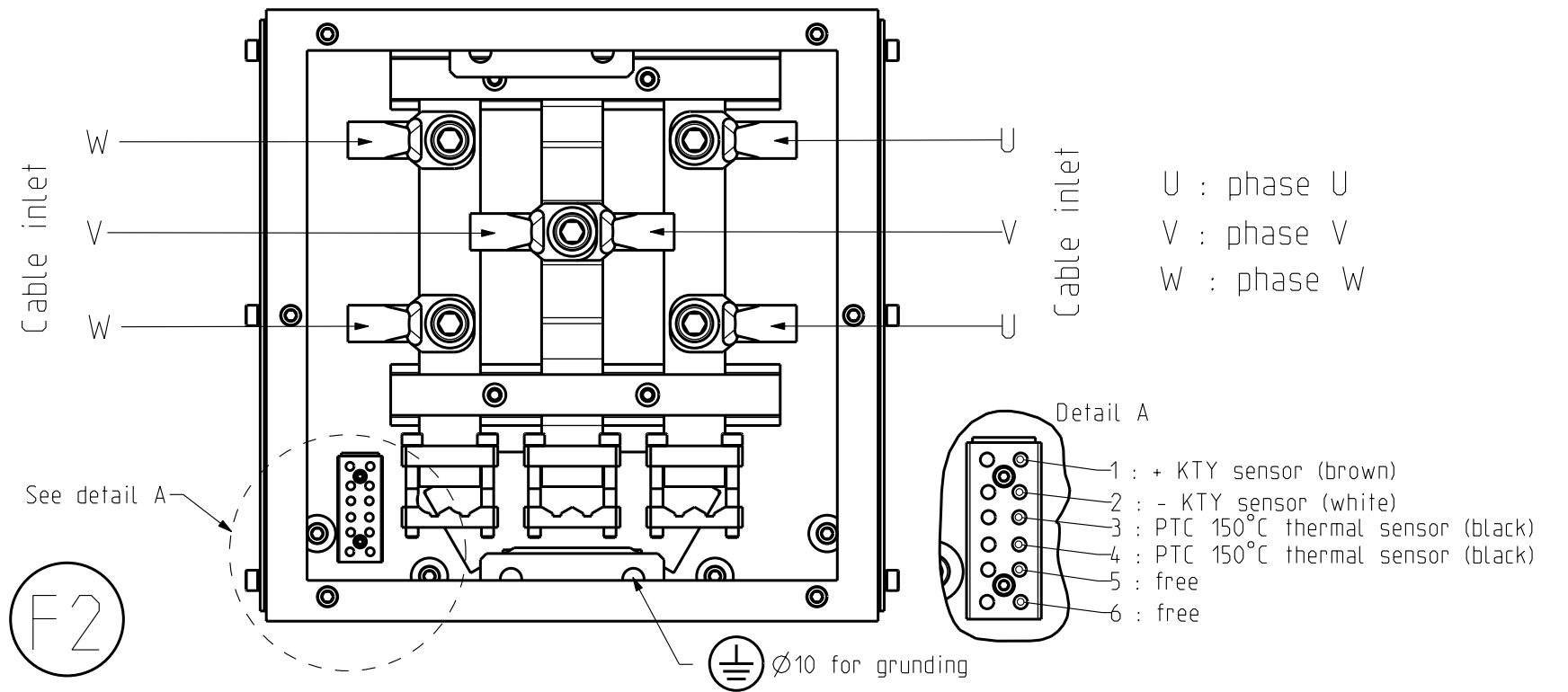
Format A3	F	E	S	G	I
	x				
345344E6001					

This document is the property of PARKER. Transmission as well as reproduction or copy is not permitted without written authorisation.

RESOLVER CONNECTOR

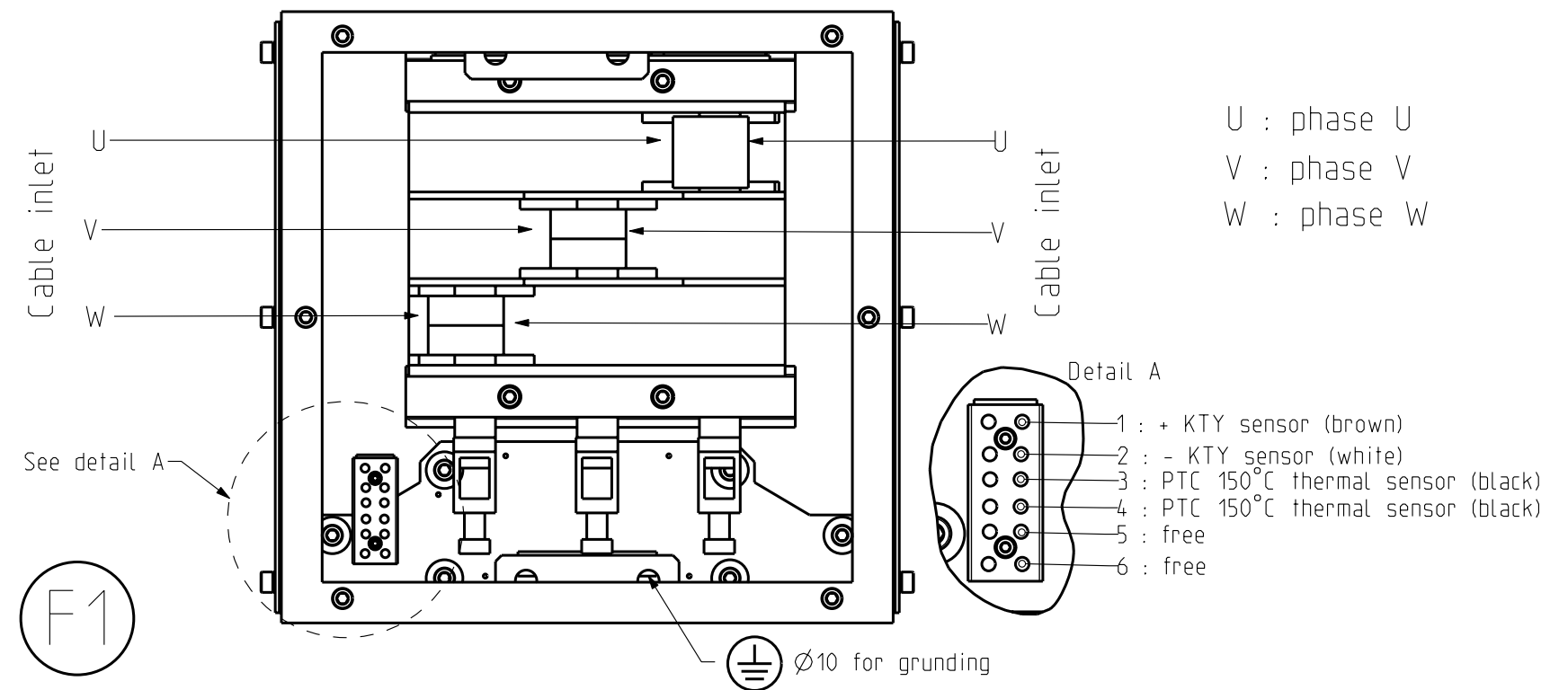


F VIEW



-Terminal box for current between 560 to 630 A, the maxi cable cross section is 2x120 mm<sup>2</sup>

Motor type	Active part	I <sub>o</sub> (Arms)	Terminal box
MGVB30HAC	HKW 310-300HAC	290	F1
			F2



-Terminal box for current < 320 A, the maxi cable cross section is between 95 to 185 mm<sup>2</sup>  
 -Terminal box for current between 320 to 560 A, the maxi cable cross section is between 150 to 300 mm<sup>2</sup>

Drawing valid for : MGVB30

Weight :	General tolerances DIN ISO 2768 mK	Drawn	05/10/15	AH	Visa					Scale 1:5	8 Avenue du Lac. BP30749 21007-DIJON cedex-FRANCE www.parker.com	MGVB OUTLINE DRAWING	Format	F	E	S	G	I	345344E6001
		Modifications												A3	x				

This document is the property of PARKER. Transmission as well as reproduction or copy is not permitted without written authorisation.